



BESTAR
Reinvent your space™



<http://bestar.ca>
<http://bestar.com>

MODEL
26184-3
COLOR
WO

Important information to read
before starting the assembly.
Keep this information for future reference.



WARNING

Impact or Crushing Hazard: If bed is not properly attached to the wall, it can suddenly fall, resulting in serious injury or death.

- For wood, metal, or masonry wall structure, a qualified person must install the bed to the wall.
- For all other types, a construction professional must install the bed to the wall in compliance with the codes and regulations in the province, state, or country where installed.
- The choice of wall attachment screw depends on wall type. Use wall attachment screws suitable for your wall material.
- Verify structural integrity of floor and wall prior to installation.
- Do not open or use the bed if the bed cabinet moves while opening, or if you notice any other signs of loose or detaching screws.
- Never remove wall attachment screws without first disassembling and removing the mattress frame and lift cylinders.
- Qualified person must have the skills and tools necessary to locate wall studs, identify type of wall structure (wood, metal, masonry or other) and install screws correctly to wall structure. Skills and tools include electronic stud finder, drill motor and bits, screwdriver, and ability to correctly use these tools.

NOTICE

- Bed frame maximum supporting weight: 1000 lb (455 kg).
- Maximum mattress thickness: 12 in (25.5 cm).
- Mattress weight must be between: 60 lb (27 kg) and 90 lb (41 kg).
- Minimum ceiling height: 91.5 in (2.32 m).
- Minimum holding force required for each fastener: 142 lb (630 N).
- Not for use with folding mattress.



Should you need more information concerning the warranty, do not call to the place of purchase. Please call our customer service department for immediate assistance using the toll free number below. Please have your assembly instruction manual on hand when you call.

BESTAR products are warranted to the original purchaser against defects in material or workmanship in the furniture. Defects as mentioned in this warranty refer to any imperfections which may impair the use of the product. Our warranty is expressly limited to the replacement of furniture parts and components for the time specified in the product description and following the date of purchase. BESTAR will replace any part that is defective. This warranty applies under conditions of normal use. Our furniture products are not intended for outdoor use, except those in the Outdoor Collection. The warranty does not cover labor or assembly costs or defects caused by improper assembly or disassembly, after-purchase product modifications, intentional damage, accidents, or exposure to the elements. Bestar reserves the right to request a proof of purchase to document a warranty claim. In no event shall BESTAR be liable for incidental or consequent damages resulting from the misuse of the product. This warranty is not transferable and is valid only in Canada and the United States excluding Alaska, Hawaii and Puerto Rico.



If there are parts missing from your order or if your product was damaged during shipping,
PLEASE CONTACT US DIRECTLY.

Need help?

If you have any questions or concerns,
please visit our website:



www.bestar.com/support

or call our toll-free number:
1-888 823-7827



Make a phone appointment
www.bestar.com/online-appointment



Send us an email
www.bestar.ca/contact-us



Need help?
www.bestar.com/faq



Activate your warranty now:



www.bestar.com/activate-my-warranty

Information required to make a warranty claim



A copy of your receipt.



Pictures of the damaged parts.



You must know the name of the product, the item number and the name of the store where the item was purchased.



Please collect this information BEFORE contacting our customer service.



**Never leave damp clothes, liquids or damp cloths on the furniture.
If a liquid has spilled on the furniture, clean the liquid up immediately.**



**Clean the furniture with a damp cloth, then wipe dry.
To avoid damaging the finish, do not use cleaning products on the furniture.**



**Do not put devices with plastic or rubber pads directly on your furniture.
Instead, attach cloth or felt pads to your device.**



To avoid dulling the finish, do not place furniture in direct sunlight.



At Bestar, we take pride in manufacturing stylish and functional furniture for your home and workspace. We go beyond manufacturing furniture: we offer solutions to optimize and customize your home and workspace. That's why customer satisfaction is our number one priority!



Satisfaction Survey
www.bestar.com/satisfaction



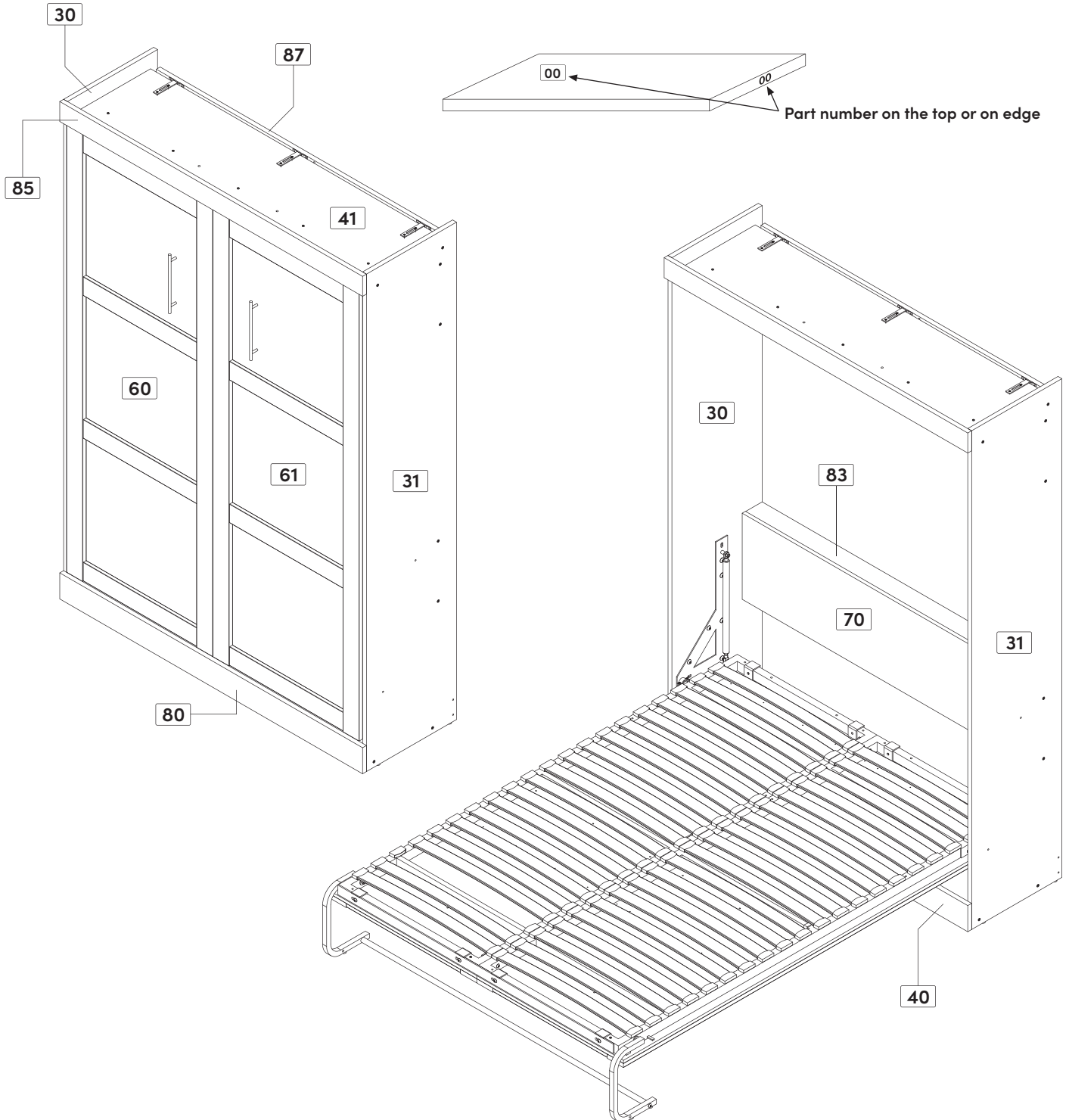
Stay in touch with us
www.bestar.com/blog



Parts & Hardwares

Parts

Code	Qty	Code	Qty	Code	Qty	Code	Qty
30	1	41	1	70	2	83	1
31	1	60	1	80	1	85	1
40	1	61	1	81	1	87	1




Parts & Hardwares

Hardwares in box 1

Code	Qty	Code	Qty	Code	Qty	Code	Qty
BT-1048	1	H-03	8	PA-844	4	RO-994	4
CA-100	16	H-36	8	PO-959	2	LEG WARNING STICKER	1
GO-796	21	KI-932-H	20				

Hardwares in box 3

Code	Qty	Code	Qty	Code	Qty	Code	Qty
EQ-1035	3	KI-985-A	1	KI-985-H	1	KI-985-N	8
H206514	1	KI-985-B	1	KI-985-I	1	KI-985-O	3
H206515	1	KI-985-C	1	KI-985-J	2	KI-985-P	2
H206517	4	KI-985-D	1	KI-985-K	18	KI-985-Q	1
H206518	2	KI-985-E	2	KI-985-L	4	KI-985-R	4
H206028	1	KI-985-F	2	KI-985-M	12	KI-985-S	8
H206029	1	KI-985-G	1				



26184-3

WARNING


Impact or Crushing Hazard: If bed is not properly attached to the wall, it can suddenly fall, resulting in serious injury or death.

- For wood, metal, or masonry wall structure, a qualified person must install the bed to the wall.
- For all other types, a construction professional must install the bed to the wall in compliance with the codes and regulations in the province, state, or country where installed.
- The choice of wall attachment screw depends on wall type. Use wall attachment screws suitable for your wall material.
- Verify structural integrity of floor and wall prior to installation.
- Do not open or use the bed if the bed cabinet moves while opening, or if you notice any other signs of loose or detaching screws.
- Never remove wall attachment screws without first disassembling and removing the mattress frame and fill cylinders.
- Qualified person must have the skills and tools necessary to locate wall studs, identify type of wall structure (wood, metal, masonry or other) and install screws correctly to wall structure. Skills and tools include electronic stud finder, drill motor and bits, screwdriver, and ability to correctly use these tools.

NOTICE

- Bed frame maximum supporting weight: 1000 lb (455 kg).
- Maximum mattress thickness: 10 in (25.4 cm).
- Mattress weight must be between: 60 lb (27 kg) and 90 lb (41 kg).
- Minimum ceiling height: 91.5 in (2.32 m).
- Minimum holding force is required for each fastener: 142 lb (63.0 N).
- Not for use with folding mattress.

FOR ANY PROBLEM OR INFORMATION
CALL BESTAR: 1-888-823-7827



To better serve you!
Pour mieux vous servir!

Model / Modèle: _____

Production Number
Numéro de production: _____

Customer Service
Service à la clientèle **1-888-823-7827**

For future reference and to allow us to serve you better, please complete the self-adhesive sticker and apply it in an accessible space such as the back of part 60.

PRODUCTION 0000

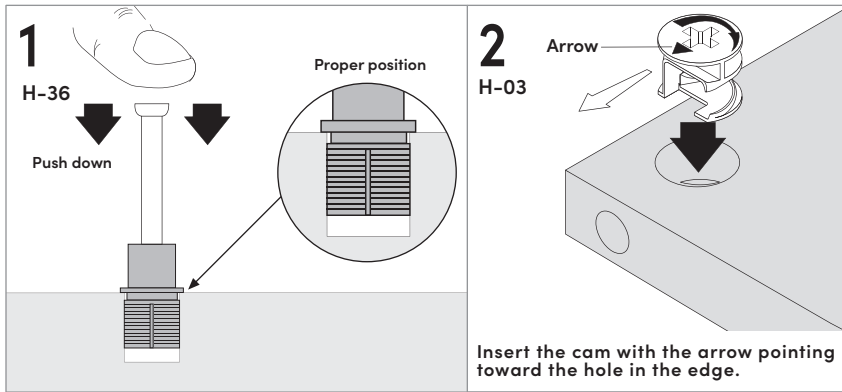
Parts & Hardwares

Real Size

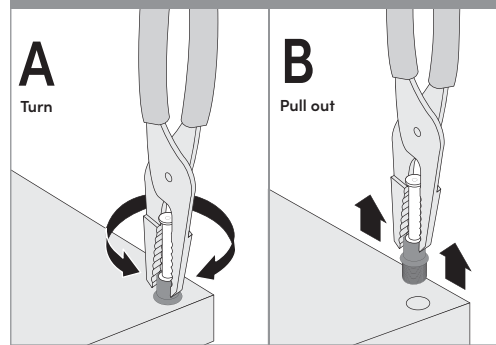
Code	Qty	Code	Qty
H206517	4	VC-204	16
H206518	2	VF-232	4
KI-932-I	20	VR-213	5
KI-985-L	4	VR-215	12
KI-985-M	12	3500-400350	36
KI-985-N	8		
KI-985-O	3		
VR-1125	6		

Important Notice

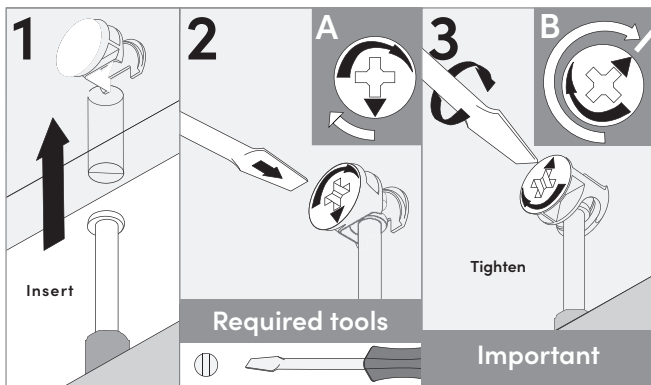
Main hardware system. Installation steps.



How to remove a misplaced assembly bolt (H-36).

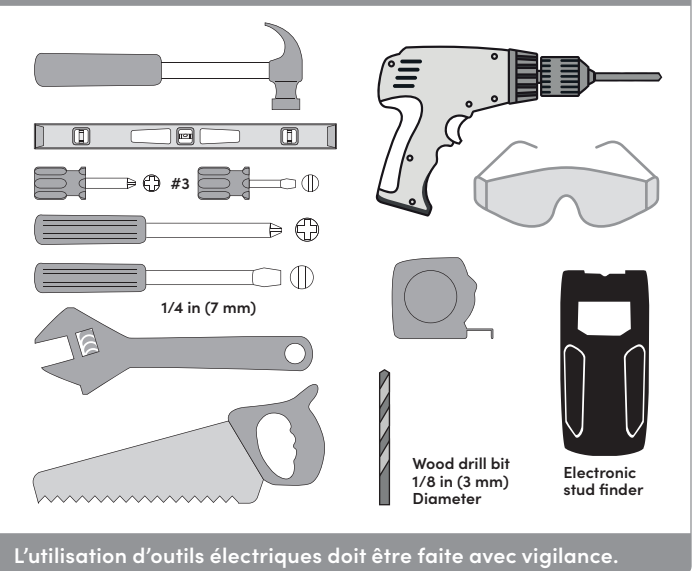


Main hardware system. Assembly steps.

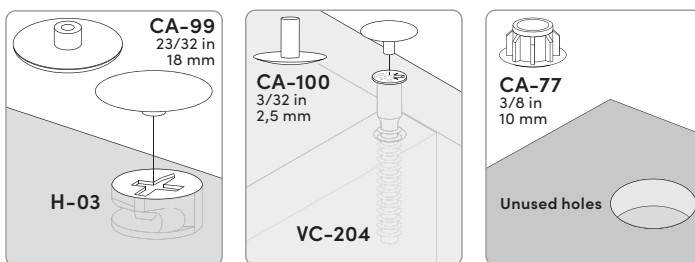


Make sure to properly tighten each cam to ensure furniture solidity. Otherwise, parts could be damaged or the user could be injured.

Required tools



When you have completed the assembly of your new furniture, install plastic caps



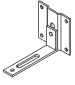



When you have completed the assembly of your new furniture, install self-adhesive caps on unused holes.



TWO people are required to assemble and move this model.

1 Hardware installation & assembly

Murphy bed

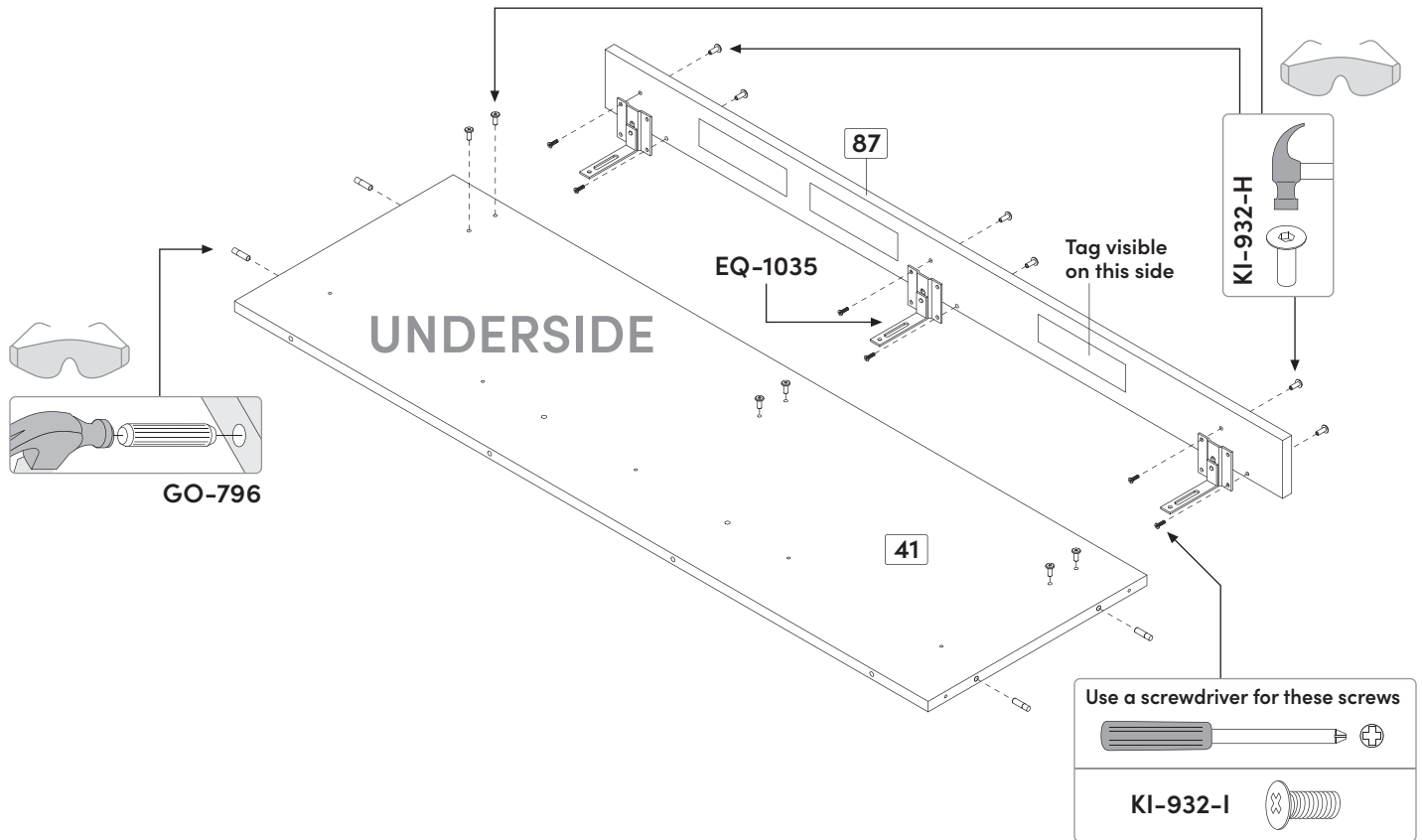
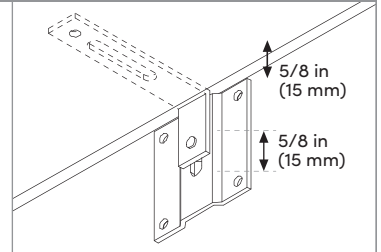
				
Code	EQ-1035	GO-796	KI-932-H	KI-932-I
Qty	x 3	x 4	x 12	x 6

NOTICE

Place boxes under parts during the assembly to avoid damage.

NOTICE

The EQ-1035 bracket is designed to allow the bed structure to adjust up to 5/8 in. (15 mm) for the compaction of a carpet for example. (See the wall anchoring step)



122-183184-0

WARNING



- IMPACT or CRUSHING HAZARD:** if bed is not properly attached to the wall, it can suddenly fall, resulting in serious injury or death.
- For wood, metal, or masonry wall structure, a qualified person must install the bed to the wall.
 - For all other wall types, a construction professional must install the bed to the wall.
 - The choice of wall attachment screw depends on wall type. Use wall attachment screws suitable for your wall material.
 - Verify structural integrity of floor and wall prior to installation.
 - Only attach wall bed to wood stud, steel stud, or masonry wall structure.
 - NEVER use hollow wall anchors.
 - ALWAYS use 12 screws for floor and wall attachment.

AVERTISSEMENT

- RISQUE DE CHOC ou D'ÉCRASEMENT :** si le lit n'est pas correctement fixé au mur, il peut tomber subitement entraînant des blessures graves ou la mort.
- Pour les structures murales en bois, en métal ou en maçonnerie, une personne qualifiée doit fixer le lit au mur.
 - Pour tous les autres types de murs, un professionnel de la construction doit fixer le lit au mur.
 - Le choix de vis de fixation murale dépend du type de mur. Utilisez des vis de fixation murale adaptées au matériau de votre mur.
 - Vérifiez l'intégrité structurale du plancher et du mur avant l'installation.
 - Fixez seulement le lit escamotable à des montants de bois, de métal ou à une structure murale en maçonnerie.
 - N'utilisez JAMAIS de chevilles pour cloison sèche.
 - Utilisez TOUJOURS 12 vis de fixation murale.



ADVERTENCIA

- IMPACTO o PELIGRO DE APLASTAMIENTO:** si la cama no está bien fijada a la pared, puede caer repentinamente, provocando lesiones graves o la muerte.
- Para las estructuras de madera, metal o mampostería, una persona cualificada debe instalar la cama a la pared.
 - Para todos los demás tipos de paredes, un profesional de la construcción debe instalar la cama a la pared.
 - La elección del tornillo de fijación a la pared depende del tipo de pared. Utilice tornillos de fijación a la pared adecuados para el material de la misma.
 - Verifique la integridad estructural del suelo y la pared antes de la instalación.
 - Fije la cama a la pared sólo a una estructura de madera, acero o mampostería.
 - NUNCA utilice anclajes de pared huecos.
 - SIEMPRE utilice 12 tornillos para la fijación al suelo y a la pared.

122-183184-0

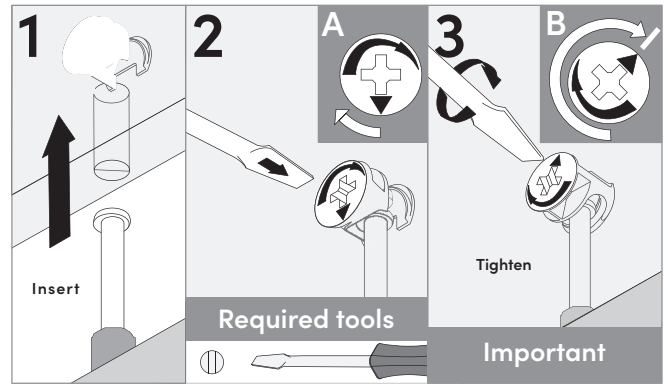
2 Hardware installation & assembly

Murphy bed

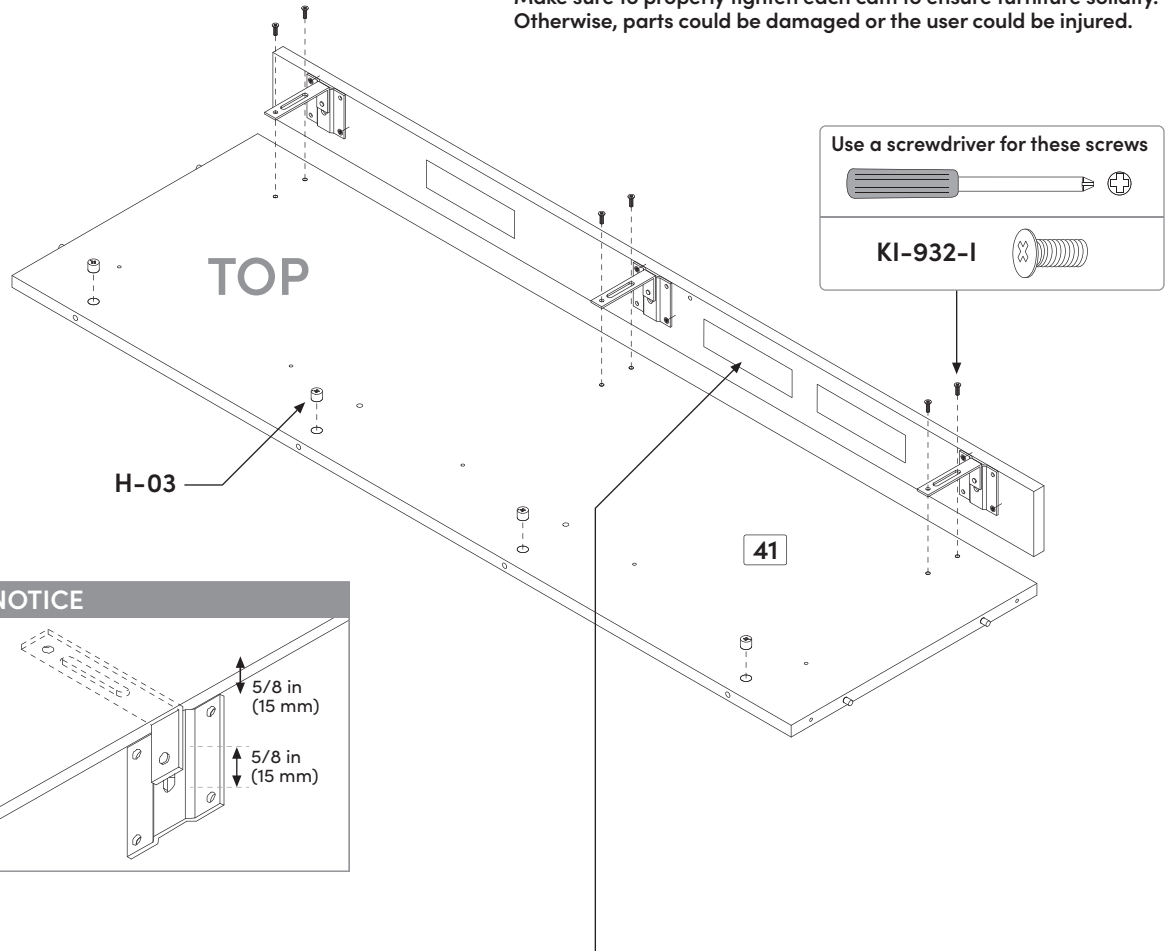
		
Code	H-03	KI-932-I
Qty	x 4	x 6

NOTICE

Place boxes under parts during the assembly to avoid damage.

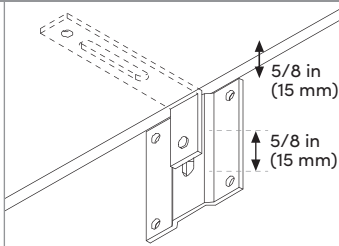


Make sure to properly tighten each cam to ensure furniture solidity. Otherwise, parts could be damaged or the user could be injured.



NOTICE

The EQ-1035 bracket is designed to allow the bed structure to adjust up to 5/8 in. (15 mm) for the compaction of a carpet for example. (See the wall anchoring step)



122-183184-0



WARNING

IMPACT or CRUSHING HAZARD: if bed is not properly attached to the wall, it can suddenly fall, resulting in serious injury or death.

- For wood, metal, or masonry wall structure, a qualified person must install the bed to the wall.
- For all other wall types, a construction professional must install the bed to the wall.
- The choice of wall attachment screw depends on wall type. Use wall attachment screws suitable for your wall material.
- Verify structural integrity of floor and wall prior to installation.
- Only attach wall bed to wood stud, steel stud, or masonry wall structure.
- NEVER use hollow wall anchors.
- ALWAYS use 12 screws for floor and wall attachment.



AVERTISSEMENT

RISQUE DE CHOC ou D'ÉCRASEMENT : si le lit n'est pas correctement fixé au mur, il peut tomber subitement entraînant des blessures graves ou la mort.

- Pour les structures murales en bois, en métal ou en maçonnerie, une personne qualifiée doit fixer le lit au mur.
- Pour tous les autres types de murs, un professionnel de la construction doit fixer le lit au mur.
- Le choix de vis de fixation murale dépend du type de mur. Utilisez des vis de fixation murale adaptées au matériau de votre mur.
- Vérifiez l'intégrité structurale du plancher et du mur avant l'installation.
- Fixez seulement le lit escamotable à des montants de bois, de métal ou à une structure murale en maçonnerie.
- N'utilisez JAMAIS de chevilles pour cloison sèche.
- Utilisez TOUJOURS 12 vis de fixation murale.



ADVERTENCIA

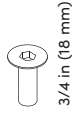
IMPACTO o PELIGRO DE APLASTAMIENTO: si la cama no está bien fijada a la pared, puede caer repentinamente, provocando lesiones graves o la muerte.

- Para las estructuras de madera, metal o mampostería, una persona cualificada debe instalar la cama a la pared.
- Para todos los demás tipos de paredes, un profesional de la construcción debe instalar la cama a la pared.
- La elección del tornillo de fijación a la pared depende del tipo de pared. Utilice tornillos de fijación a la pared adecuados para el material de la misma.
- Verifique la integridad estructural del suelo y la pared antes de la instalación.
- Fije la cama a la pared sólo a una estructura de madera, acero o mampostería.
- NUNCA utilice anclajes de pared huecos.
- SIEMPRE utilice 12 tornillos para la fijación al suelo y a la pared.



122-183184-0

3 Hardware installation Murphy bed

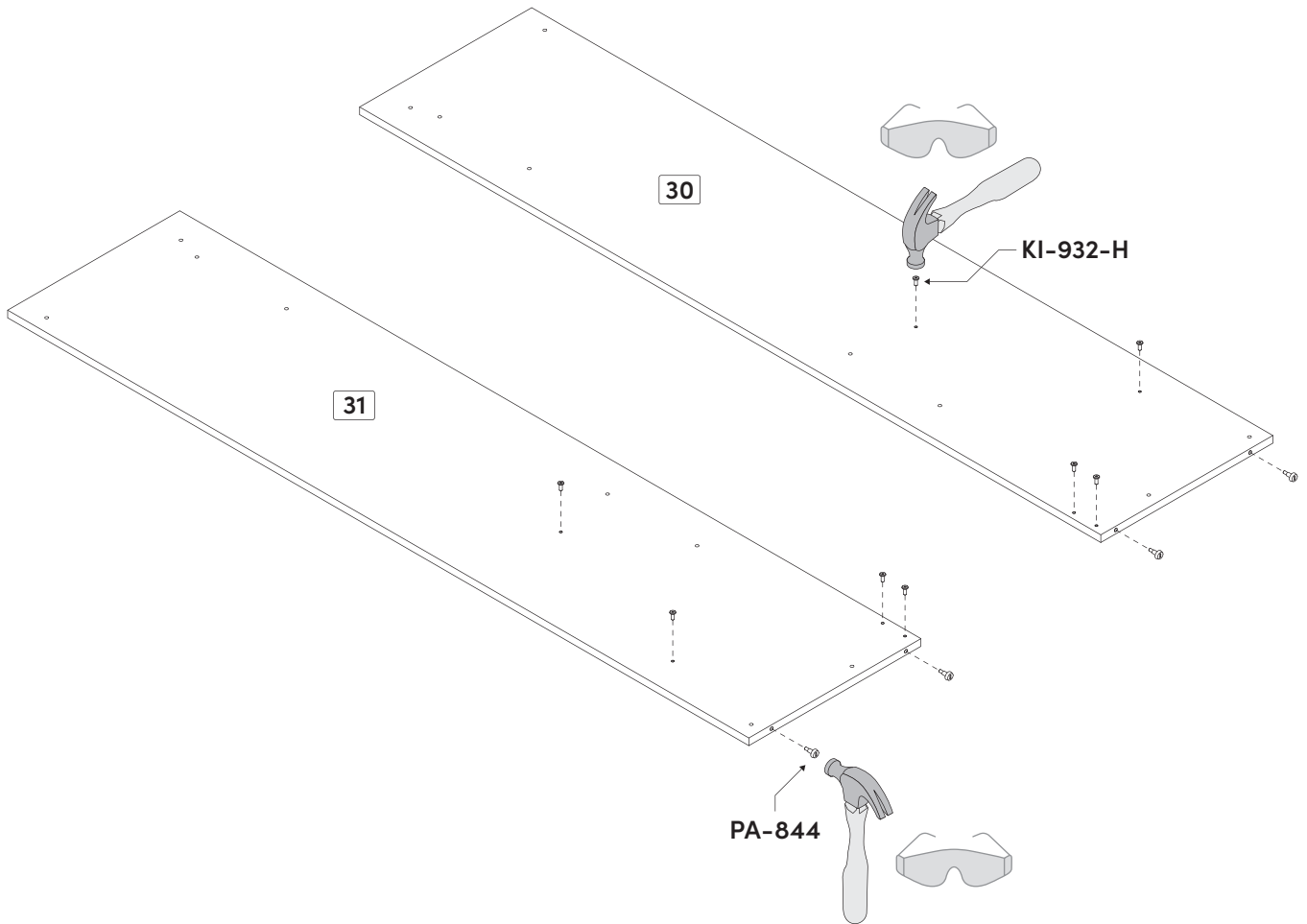


3/4 in (18 mm)



1 in (25 mm)

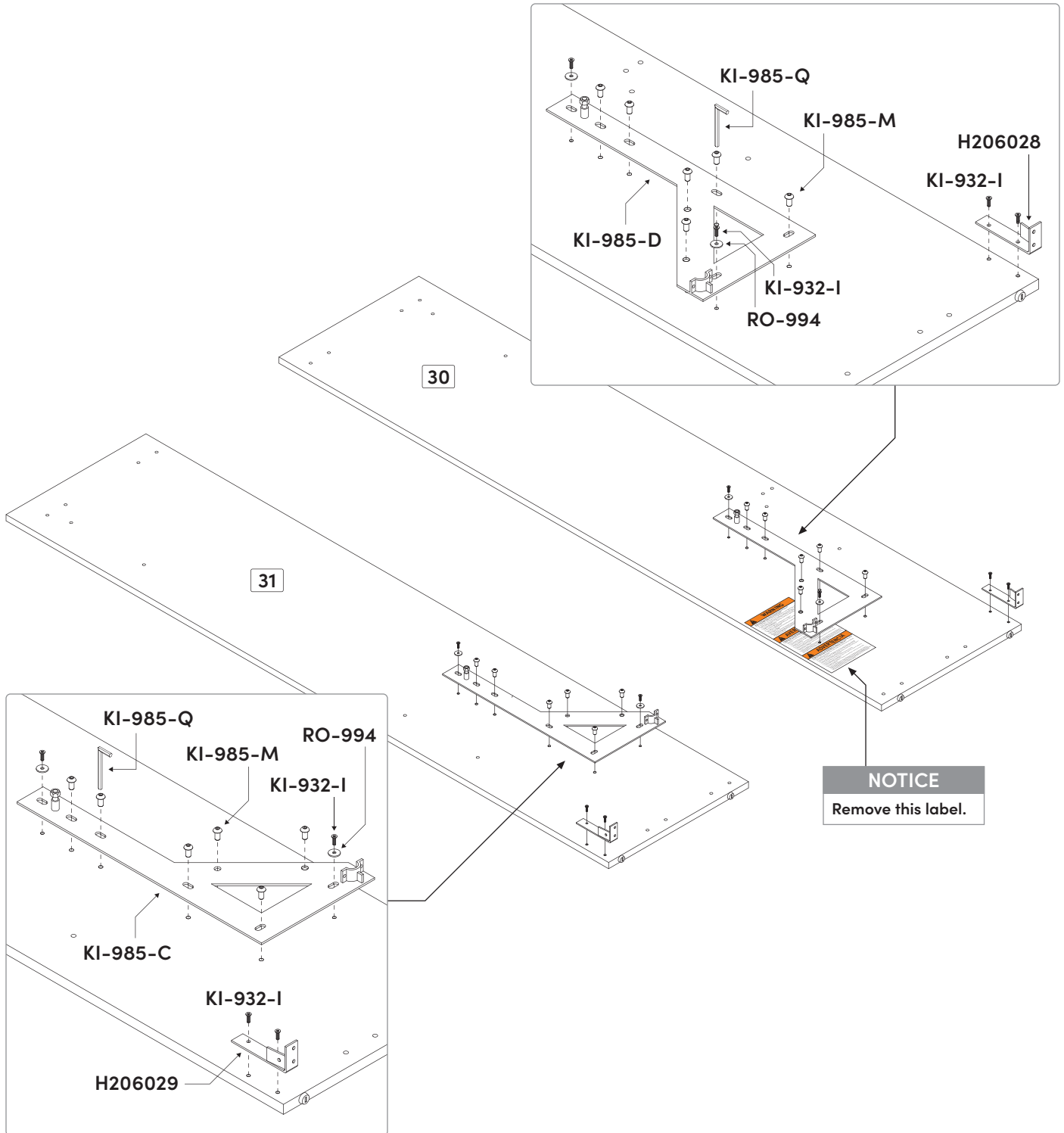
Code	KI-932-H	PA-844
Qty	x 8	x 4



4 Hardware installation Murphy bed

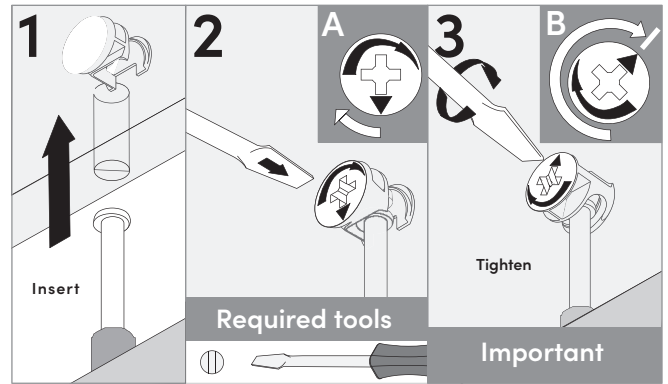


Code	KI-985-C	KI-985-D	KI-932-I	KI-985-M	KI-985-Q	RO-994	H206028	H206029
Qty	x 1	x 1	x 8	x 12	x 1	x 4	x 1	x 1

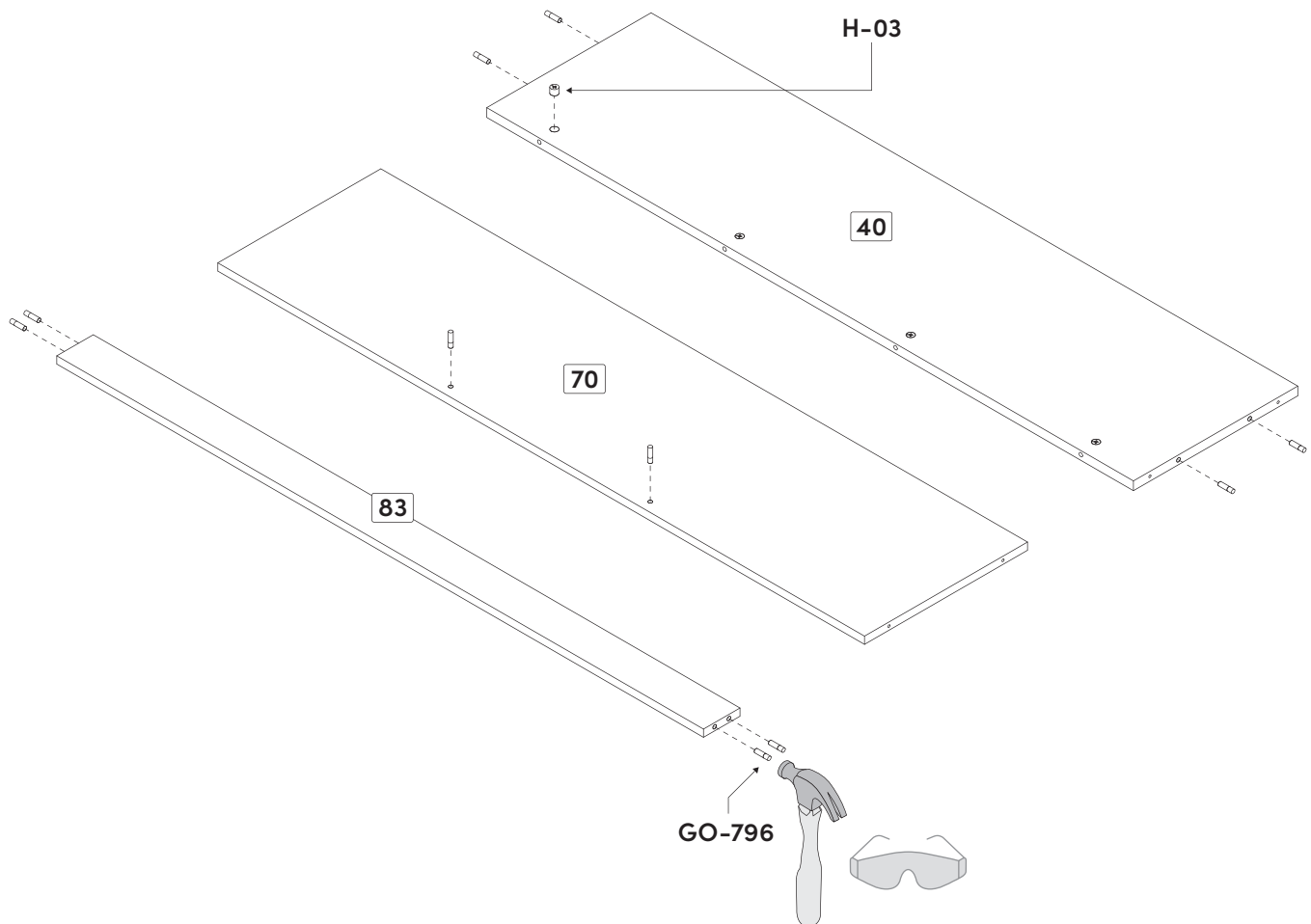


5 Hardware installation
Murphy bed

		
Code	GO-796	H-03
Qty	x 10	x 4

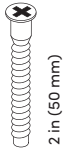


Make sure to properly tighten each cam to ensure furniture solidity. Otherwise, parts could be damaged or the user could be injured.



6

Hardware installation & assembly
Murphy bed



Code VC-204

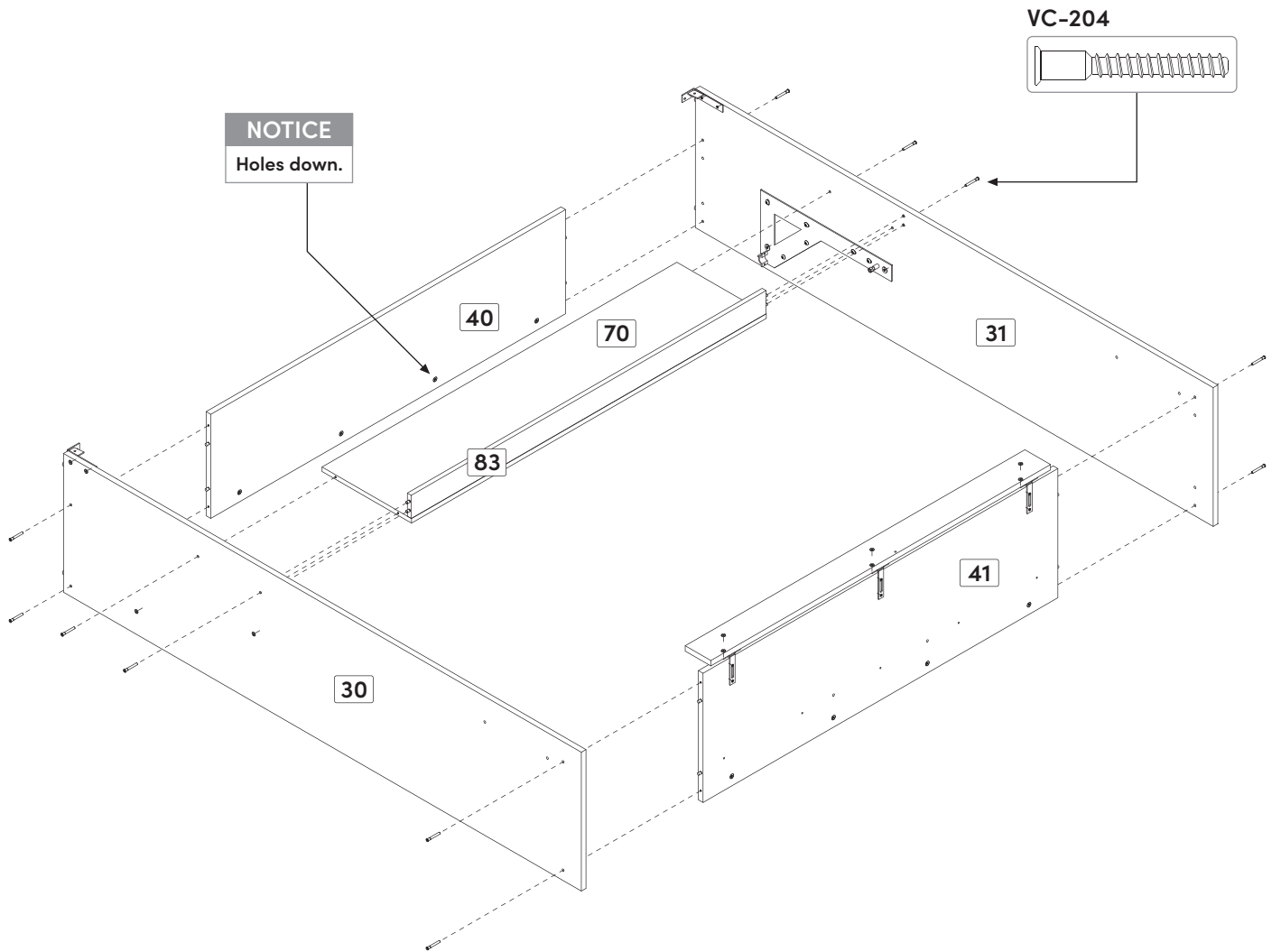
Qty x 12



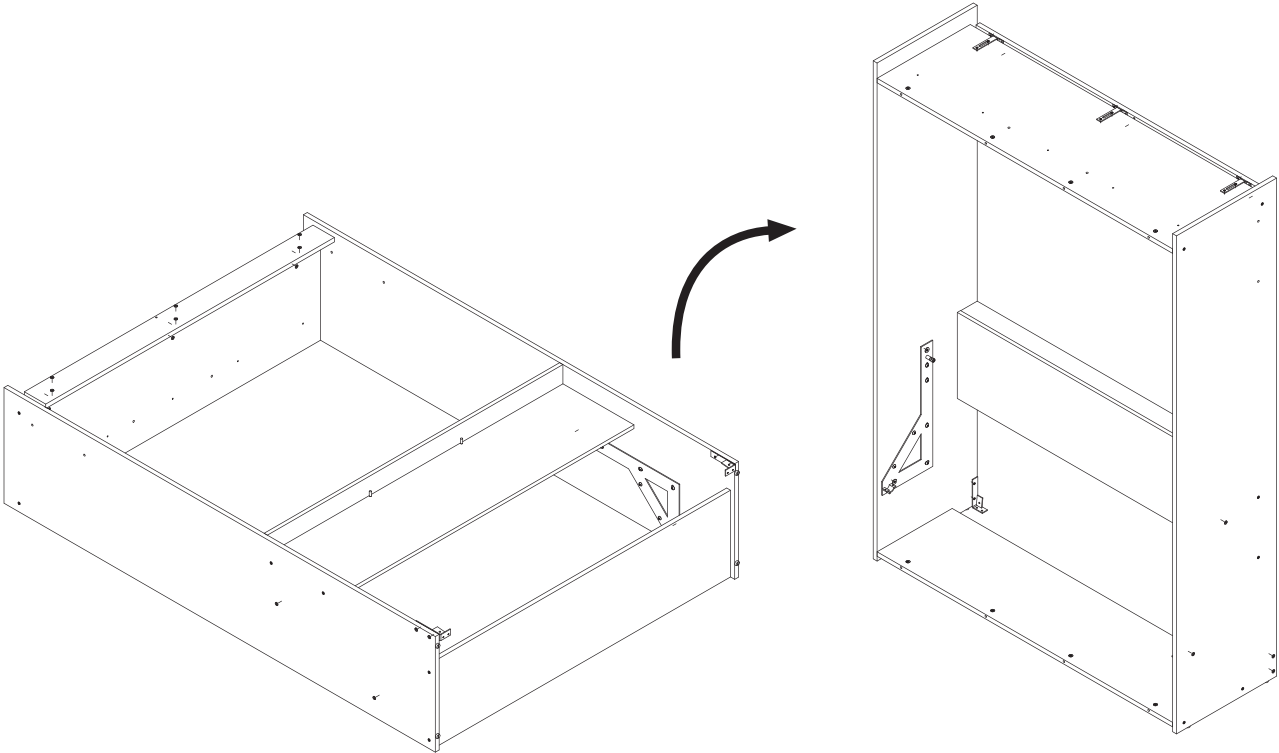
TWO people
are required
for this step.

Sequence

- 40
- 30
- 31
- 70
- 83
- 41



7 Assembly
Murphy bed



WALL ANCHORING REQUIREMENTS & INSTALLATION RECOMMENDATIONS

Important information to read before starting the assembly.
Keep this information for future reference.



WARNING

IMPACT OR CRUSHING HAZARD: If bed is not properly attached to the wall, it can suddenly fall, resulting in serious injury or death.

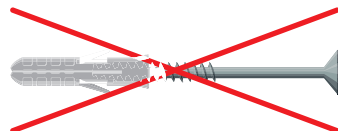
- For wood, metal, or masonry wall structure, a qualified person must install the bed to the wall.
- For all other types, a construction professional must install the bed to the wall in compliance with the codes and regulations in the province, state, or country where installed.
- The choice of wall attachment screw depends on wall type. Use wall attachment screws suitable for your wall material.
- Verify structural integrity of floor and wall prior to installation.
- Do not open or use the bed if the bed cabinet moves while opening, or if you notice any other signs of loose or detaching screws.
- Never remove wall attachment screws without first disassembling and removing the mattress frame and lift cylinders.
- Qualified person must have the skills and tools necessary to locate wall studs, identify type of wall structure (wood, metal, masonry or other) and install screws correctly to wall structure. Skills and tools include electronic stud finder, drill motor and bits, screwdriver, and ability to correctly use these tools.



WARNING

IMPACT OR CRUSHING HAZARD: If bed is not properly attached to the wall, it can suddenly fall, resulting in serious injury or death.

- NEVER use hollow-wall or drywall anchors.
- NEVER attach wall bed directly to drywall, sheetrock, gypsum, or other wall board.
- ALWAYS attach wall bed to wood stud, steel stud or masonry wall structure.
- ALWAYS use twelve (12) screws for floor and wall attachment.



WALL ANCHORING INSTRUCTIONS

INSTALLATION RECOMMENDATIONS

1

Locate stud centerlines using electronic stud finder. Use pencil to mark stud centerlines below part 87.

2

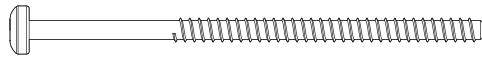
Drill a 1/8 in or 3 mm pilot hole into the wall stud to determine the type of wall structure present.

3

Wood found behind the wall board?

- Use a 1/8 in drill for the pilot hole on the plywood rail.
- Use the wood stud mounting approach with the six #10 x 3.5 in wood screws provided.

Wood Screw — VR-1125
3 1/2 in (89 mm)



4

Metal found behind the wall board?

- Use a 1/4 in drill for the pilot hole on the plywood rail and a 1/2 in drill for the wall.
- Use the metal stud mounting approach with the six #10 x 3 in toggle bolts.

"Adjustable wall anchor" Snaptoggle® *
Use for metal stud



5

Concrete found behind the wall board?

- Use a 5/32 in masonry drill for the pilot hole on the plywood rail and for the wall.
- Use the masonry wall structure mounting approach with the six #10 x 3.25 in concrete screws.

Concrete Screw
3/16 in (5 mm) diameter x 3 1/4 in (83 mm)



WARNING

IMPACT or CRUSHING HAZARD: if bed is not properly attached to the wall, it can suddenly fall, resulting in serious injury or death.

- For wood, metal, or masonry wall structure, a qualified person must install the bed to the wall.
- For all other wall types, a construction professional must install the bed to the wall.
- The choice of wall attachment screw depends on wall type. Use wall attachment screws suitable for your wall material.
- Verify structural integrity of floor and wall prior to installation.
- Only attach wall bed to wood stud, steel stud, or masonry wall structure.
- NEVER use hollow wall anchors.
- ALWAYS use 12 screws for floor and wall attachment.



AVERTISSEMENT

RISQUE DE CHOC ou D'ÉCRASEMENT : si le lit n'est pas correctement fixé au mur, il peut tomber subitement entraînant des blessures graves ou la mort.

- Pour les structures murales en bois, en métal ou en maçonnerie, une personne qualifiée doit fixer le lit au mur.
- Pour tous les autres types de murs, un professionnel de la construction doit fixer le lit au mur.
- Le choix de vis de fixation murale dépend du type de mur. Utilisez des vis de fixation murale adaptées au matériau de votre mur.
- Vérifiez l'intégrité structurale du plancher et du mur avant l'installation.
- Fixez seulement le lit escamotable à des montants de bois, de métal ou à une structure murale en maçonnerie.
- N'utilisez JAMAIS de chevilles pour cloison sèche.
- Utilisez TOUJOURS 12 vis de fixation murale.



ADVERTENCIA

IMPACTO o PELIGRO DE APLASTAMIENTO: si la cama no está bien fijada a la pared, puede caer repentinamente, provocando lesiones graves o la muerte.

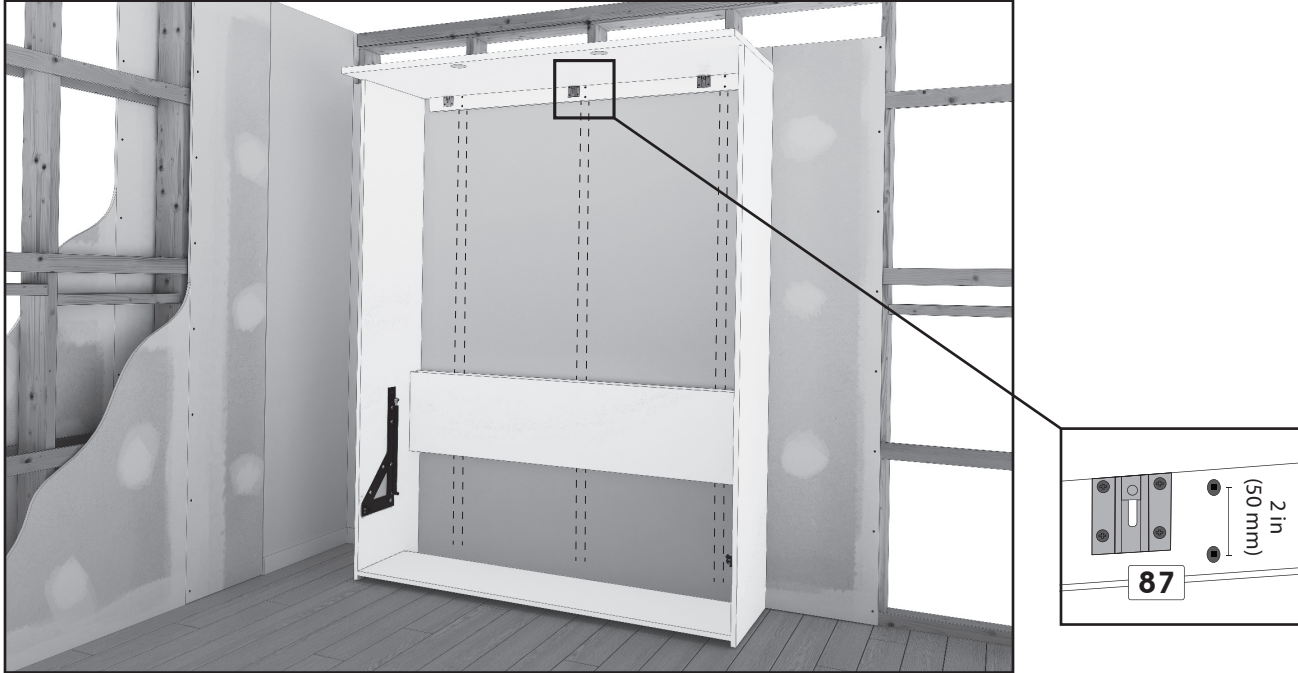
- Para las estructuras de madera, metal o mampostería, una persona cualificada debe instalar la cama a la pared.
- Para todos los demás tipos de paredes, un profesional de la construcción debe instalar la cama a la pared.
- La elección del tornillo de fijación a la pared depende del tipo de pared. Utilice tornillos de fijación a la pared adecuados para el material de la misma.
- Verifique la integridad estructural del suelo y la pared antes de la instalación.
- Fije la cama a la pared sólo a una estructura de madera, acero o mampostería.
- NUNCA utilice anclajes de pared huecos.
- SIEMPRE utilice 12 tornillos para la fijación al suelo y a la pared.

WALL ANCHORING INSTRUCTIONS

INSTALLATION RECOMMENDATIONS — WOOD STUDS

WALL COMPOSITION

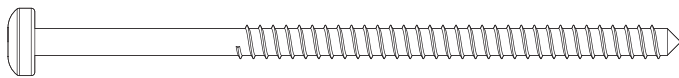
Wood studs



ACCORDING TO YOUR WALL TYPE AND COMPOSITION, YOUR PROFESSIONAL INSTALLER SHOULD APPROVE THE CHOICE OF ANCHOR SCREWS AND SELECT, IF REQUIRED, MORE APPROPRIATE ANCHORING DEVICES.

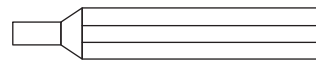
HARDWARE INCLUDED

VR-1125



6 screws No #10, 3 1/2 in (89 mm)

BT-1048



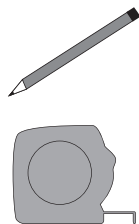
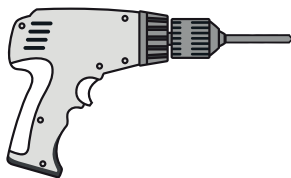
Robertson (square-tip) bit included

H206515

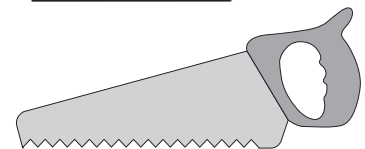


Wood drill bit
1/8 in (3 mm)
Diameter

REQUIRED TOOLS



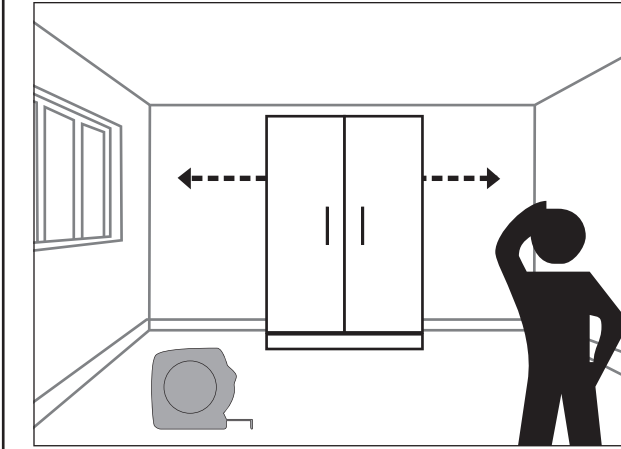
Stud finder



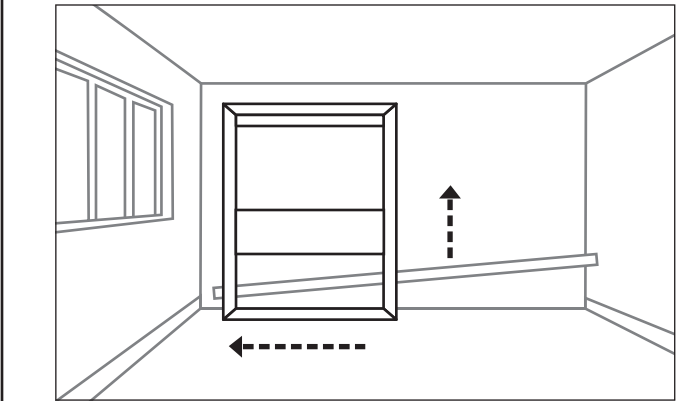
WALL ANCHORING INSTRUCTIONS

INSTALLATION RECOMMENDATIONS - WOOD STUDS

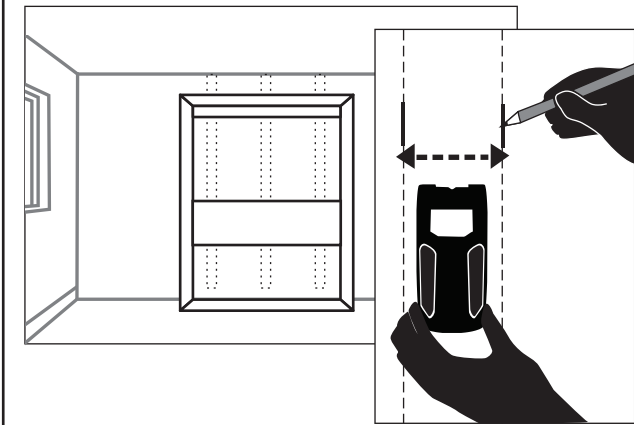
1 Determine the position of the bed in the room.



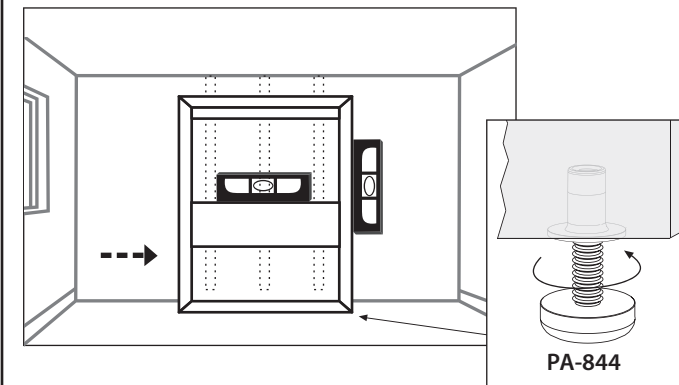
2 Move the bed if necessary, then remove the floor trim completely.



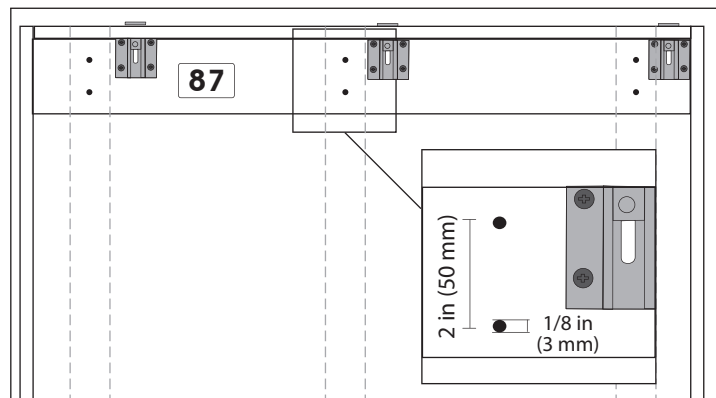
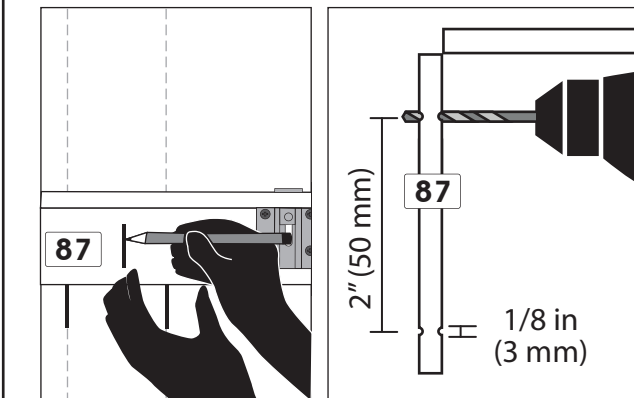
3 Locate and mark the positioning of 3 studs using a stud finder.



4 Put the bed back in its place. Level by adjusting the legs PA-844 previously installed. If you install the bed on a carpet, you must raise the bed by an extra 3/8 in (10 mm).



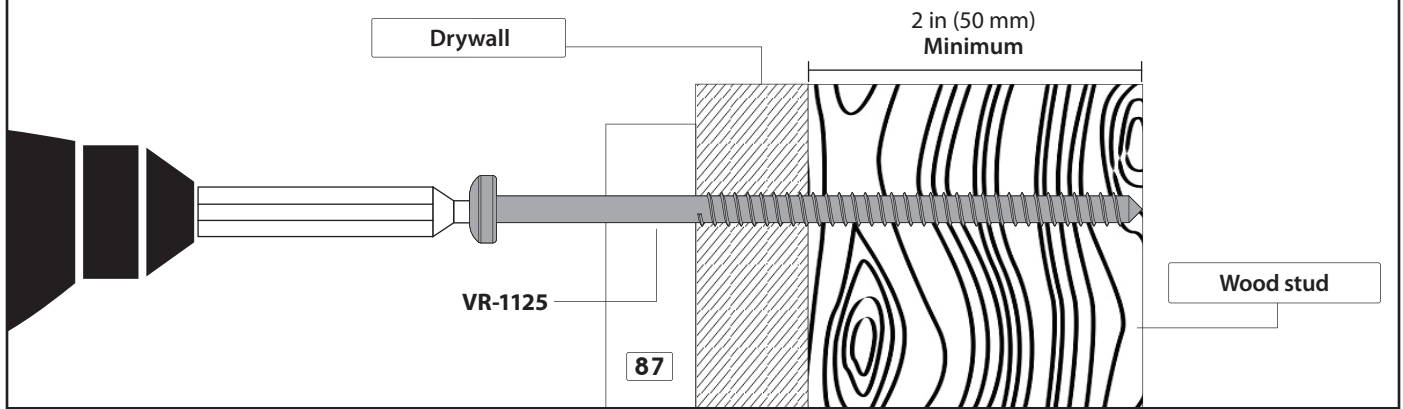
5 Line up plywood part #87 on the wall and mark the middle of the studs on the plywood, then pre-drill part #87 with 2 pilot holes of 1/8 in (3 mm) diameter per stud, 2 in (50 mm) apart vertically (6 holes in total). **DO NOT DRILL HOLES INTO THE WOOD STUDS.**



WALL ANCHORING INSTRUCTIONS

INSTALLATION RECOMMENDATIONS - WOOD STUDS

- Put the wood screws #10 x 3 1/2 in (89 mm) through the holes of part #87 and screw into the center of the studs until the plywood is tight against the wall. The screw must be at least 2 in (50 mm) deep in the wooden stud. USE AN ELECTRIC SCREWDRIVER WITH AN ADJUSTABLE TENSION CLUTCH THAT HELPS PREVENT OVER-TIGHTENING AND STRIPPING.

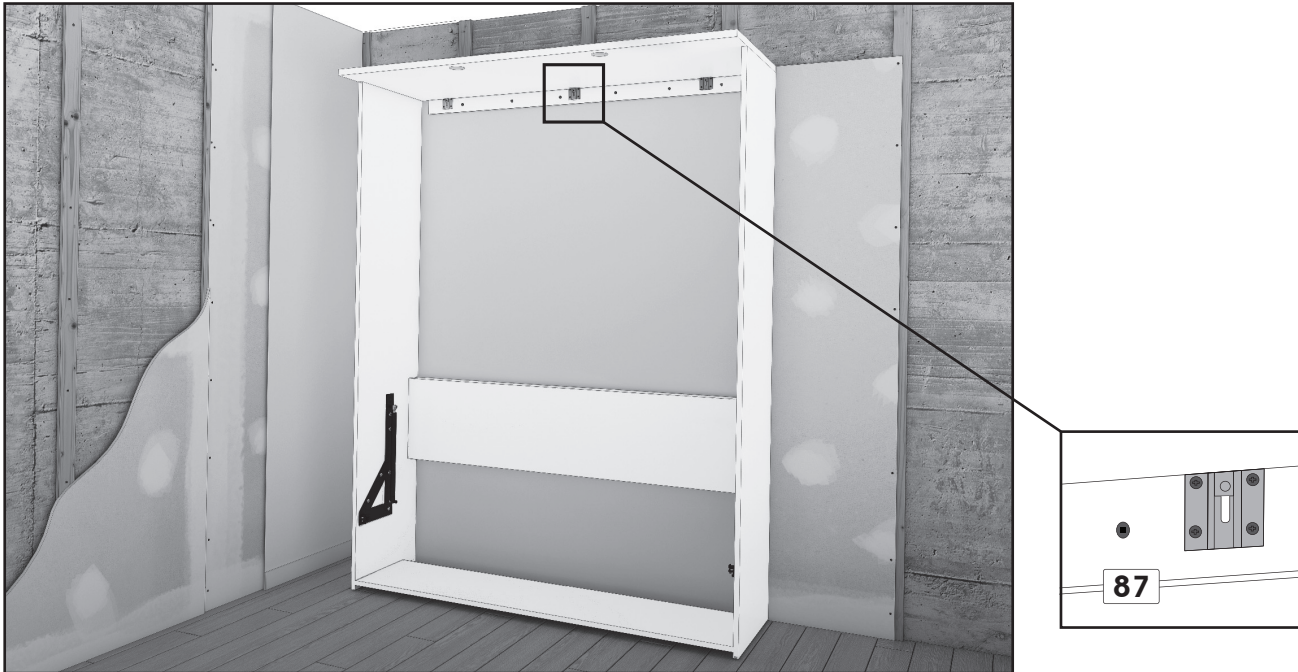


WALL ANCHORING INSTRUCTIONS

INSTALLATION RECOMMENDATIONS — MASONRY

WALL COMPOSITION

Masonry



ACCORDING TO YOUR WALL TYPE AND COMPOSITION, YOUR PROFESSIONAL INSTALLER SHOULD APPROVE THE CHOICE OF ANCHOR SCREWS AND SELECT, IF REQUIRED, MORE APPROPRIATE ANCHORING DEVICES.

HARDWARE

“CONCRETE SCREWS 3/16 in (5 mm) diameter X APPROPRIATE LENGTH”



NOT included

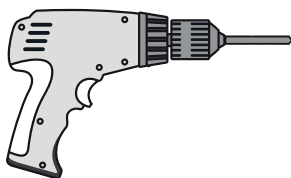
H206515



Wood drill bit
1/8 in (3 mm)
Diameter

Included

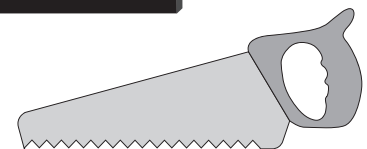
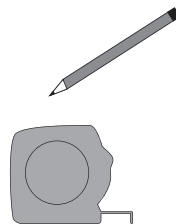
REQUIRED TOOLS



Hammer drill



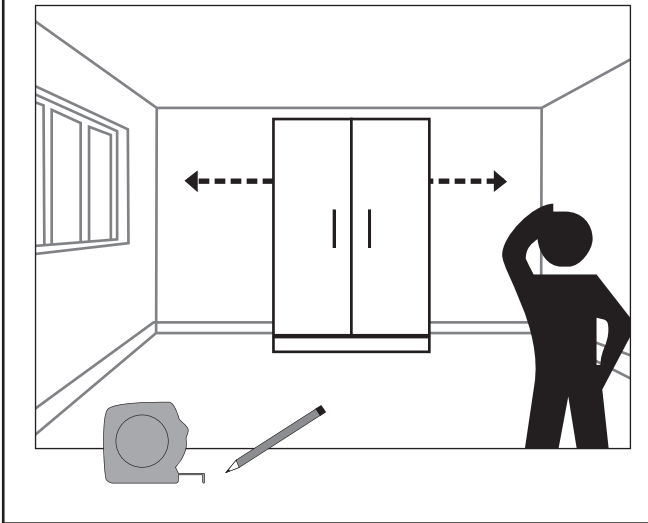
Masonry drill bit
5/32 in (4 mm)
Diameter



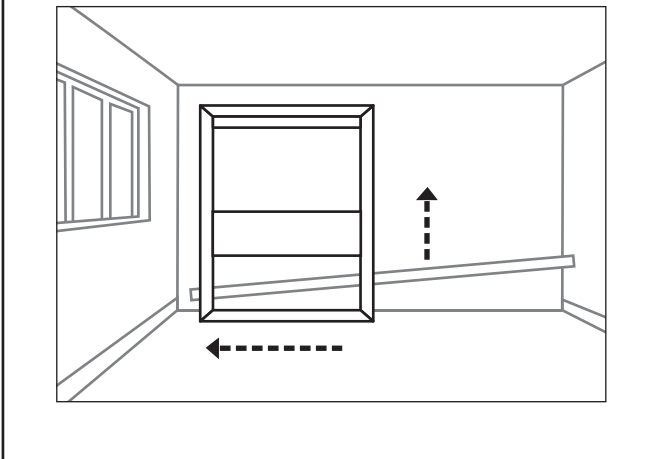
WALL ANCHORING INSTRUCTIONS

INSTALLATION RECOMMENDATIONS — MASONRY

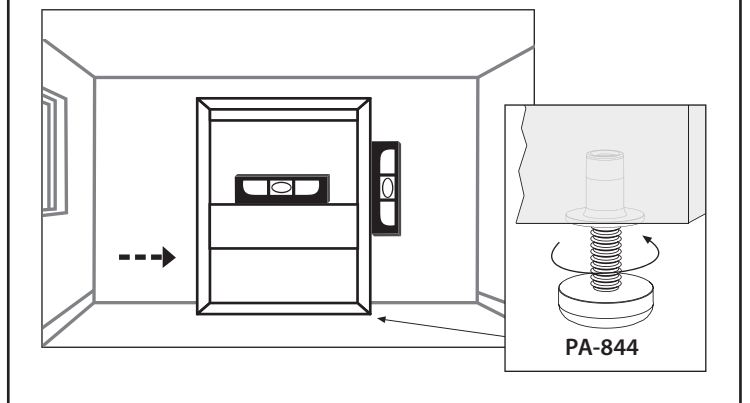
- 1** Determine and mark the position of the bed in the room.



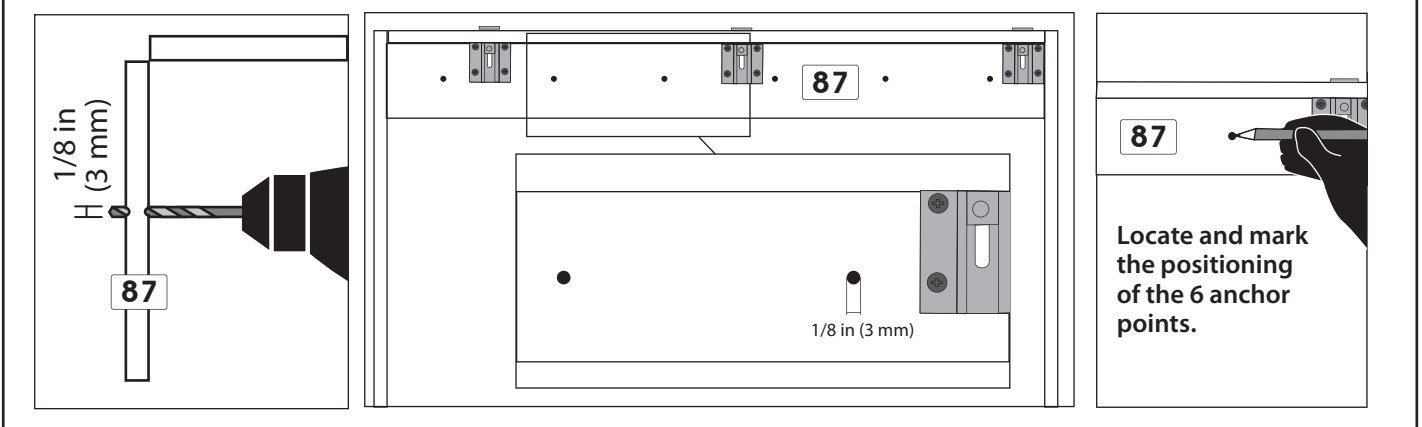
- 2** Move the bed if necessary, then remove the floor trim completely.



- 3** Put the bed back in its place. Level by adjusting the legs PA-844 previously installed. If you install the bed on a carpet, you must raise the bed by an extra 3/8 in (10 mm).



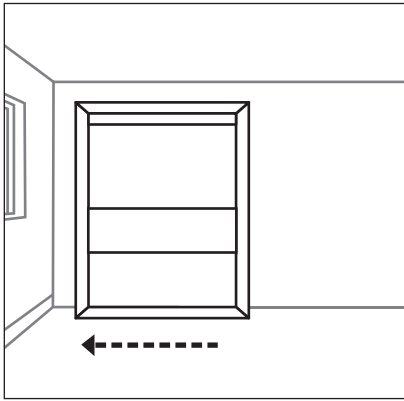
- 4** Pre-drill the piece of plywood #87 with 6 pilot holes of 1/8 in (3 mm) diameter distributed horizontally in order to cover the width of the anchoring section. With the bed in position, mark the position of the 6 holes on the masonry wall.



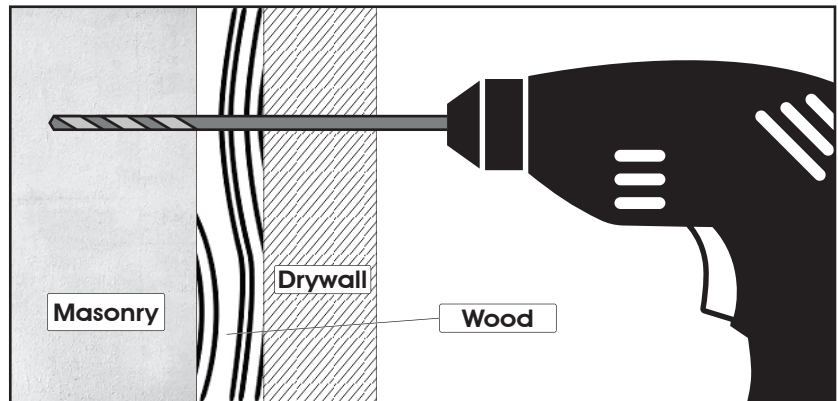
WALL ANCHORING INSTRUCTIONS

INSTALLATION RECOMMENDATIONS — MASONRY

- 5** Move the bed again.



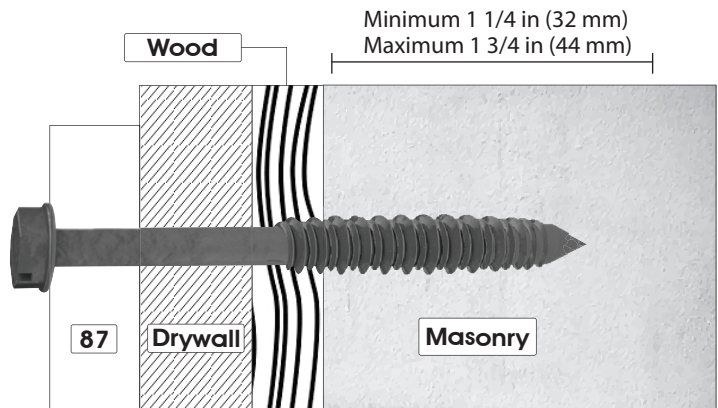
- 6** Using a 5/32 in (4 mm) diameter masonry bit, drill into the drywall and masonry (a hammer drill is required).



- 7** Put the bed back in its place.

Put the CONCRETE SCREWS 3/16 in (5 mm) diameter X APPROPRIATE LENGTH into the holes of part #87 and screw the bed onto the masonry wall until tight against the wall. Screw must be at least 1 1/4 in (32 mm) deep into masonry.

USE AN ELECTRIC SCREWDRIVER WITH AN ADJUSTABLE TENSION CLUTCH THAT HELPS PREVENT OVER-TIGHTENING AND STRIPPING.

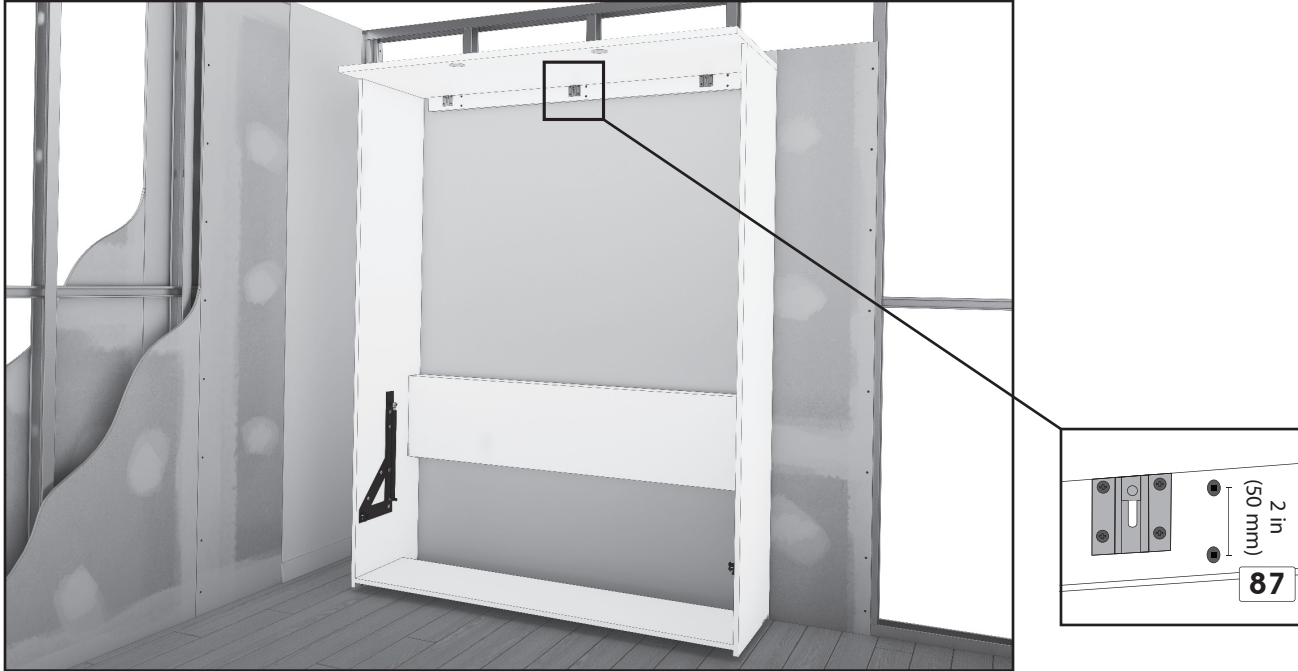


WALL ANCHORING INSTRUCTIONS

INSTALLATION RECOMMENDATIONS — METAL STUDS

WALL COMPOSITION

Metal studs



ACCORDING TO YOUR WALL TYPE AND COMPOSITION, YOUR PROFESSIONAL INSTALLER SHOULD APPROVE THE CHOICE OF ANCHOR SCREWS AND SELECT, IF REQUIRED, MORE APPROPRIATE ANCHORING DEVICES.

HARDWARE

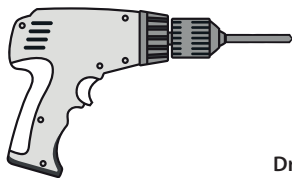
“Adjustable wall anchor” Snaptoggle® *



SCREW (10-24) X APPROPRIATE LENGTH

NOT included

REQUIRED TOOLS



Hammer drill



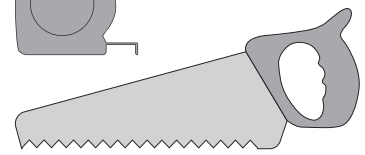
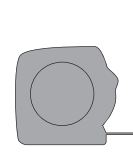
Drill bit for metal
1/2 in (13 mm)
diameter



Wood drill bit
3/16 in (5 mm)
diameter



Stud
finder



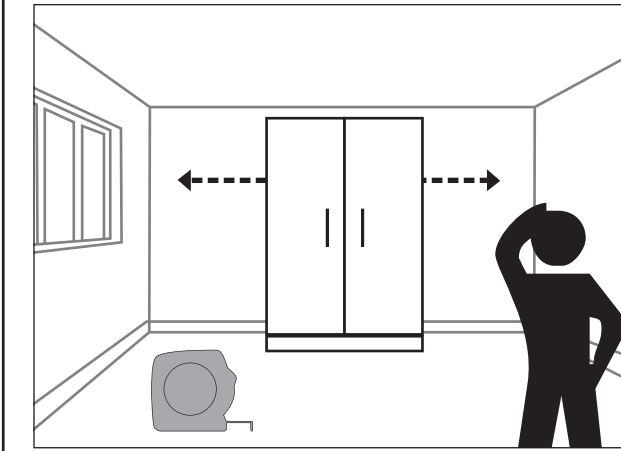
*Patented under one or more of the following U.S. Patent Nos. : 5,938,385; 6,161,999; 7,144,212; 7,320,569; and foreign counterparts thereof. Others patents pending.

TOGGLER and typeface, symbol, TA, TB, TC, TH, SP, ALLIGATOR, ALLIGATOR design, SNAPTOGGLE, SnapSku, and High-Performance Anchors are worldwide registered trademarks of Mechanical Plastics Corp.

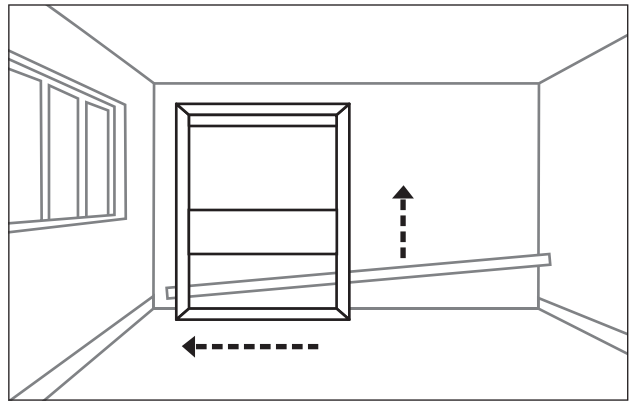
WALL ANCHORING INSTRUCTIONS

INSTALLATION RECOMMENDATIONS — METAL STUDS

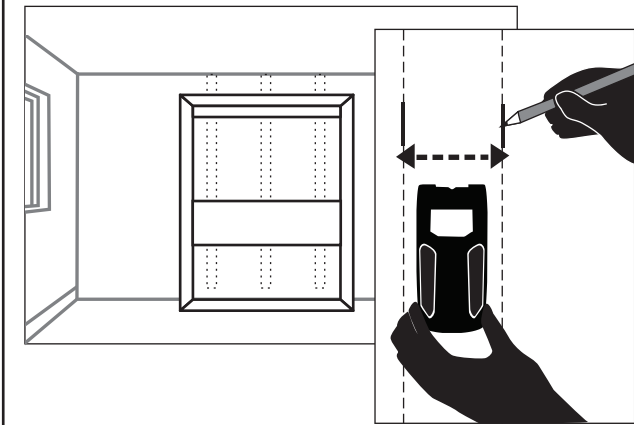
1 Determine the position of the bed in the room.



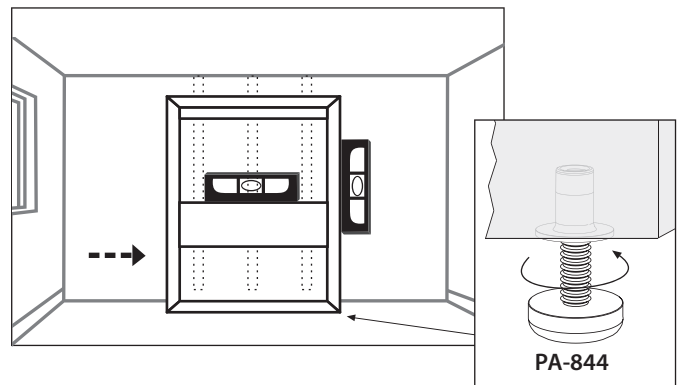
2 Move the bed if necessary, then remove the floor trim completely.



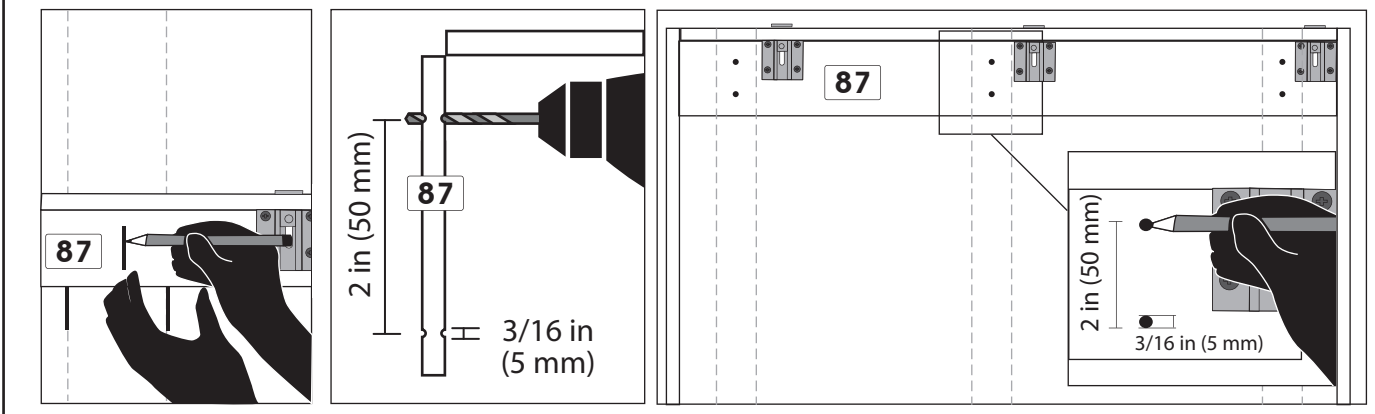
3 Locate and mark the positioning of 3 studs using a stud finder.



4 Put the bed back in its place. Level by adjusting the legs PA-844 previously installed. If you install the bed on a carpet, you must raise the bed by an extra 3/8 in (10 mm).



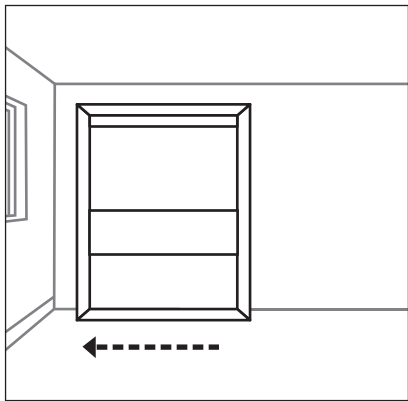
5 Line up plywood part #87 on the wall and mark the middle of the studs on the plywood, then pre-drill part #87 with 2 pilot holes of 3/16 in (5 mm) diameter per stud, 2 in (50 mm) apart vertically (6 holes in total). With the bed in position, mark the positioning of the 6 holes on the drywall.



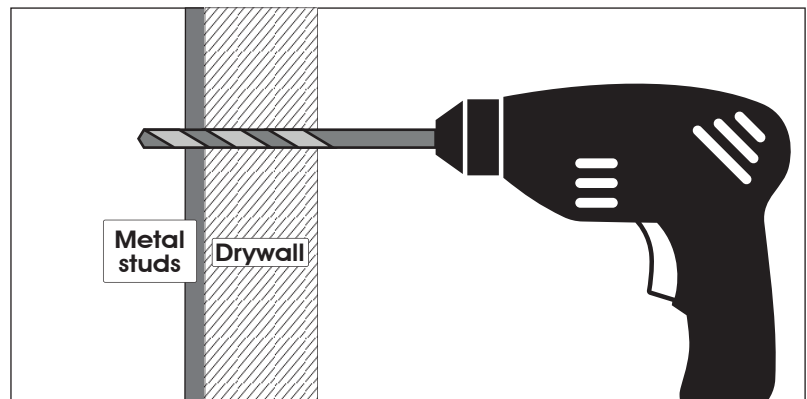
WALL ANCHORING INSTRUCTIONS

INSTALLATION RECOMMENDATIONS — METAL STUDS

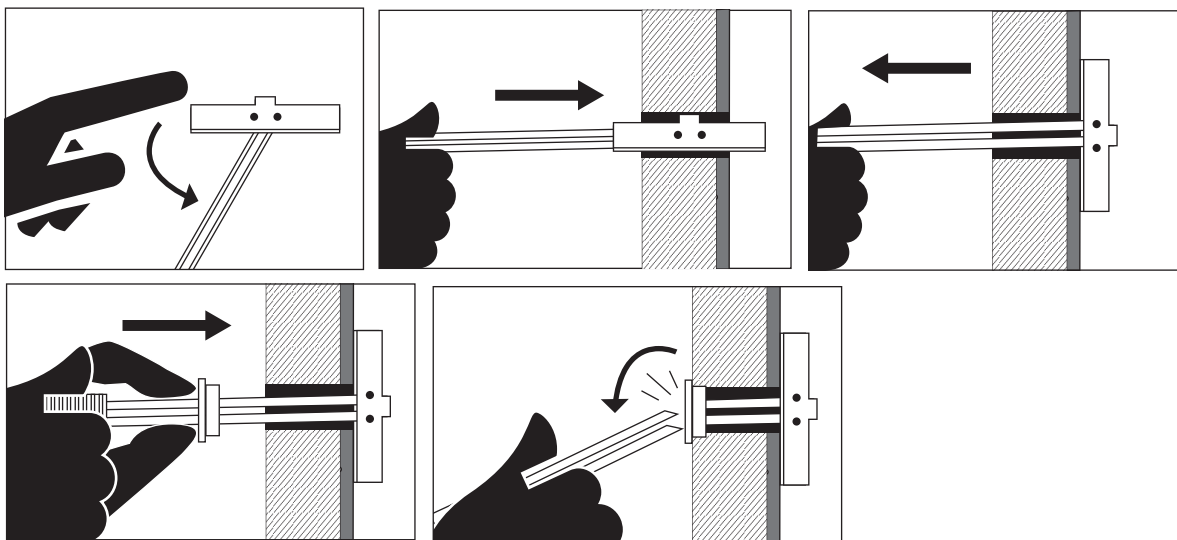
6 Move the bed again.



7 Using a 1/2 in (13 mm) diameter metal bit, drill into the drywall and the metal studs.

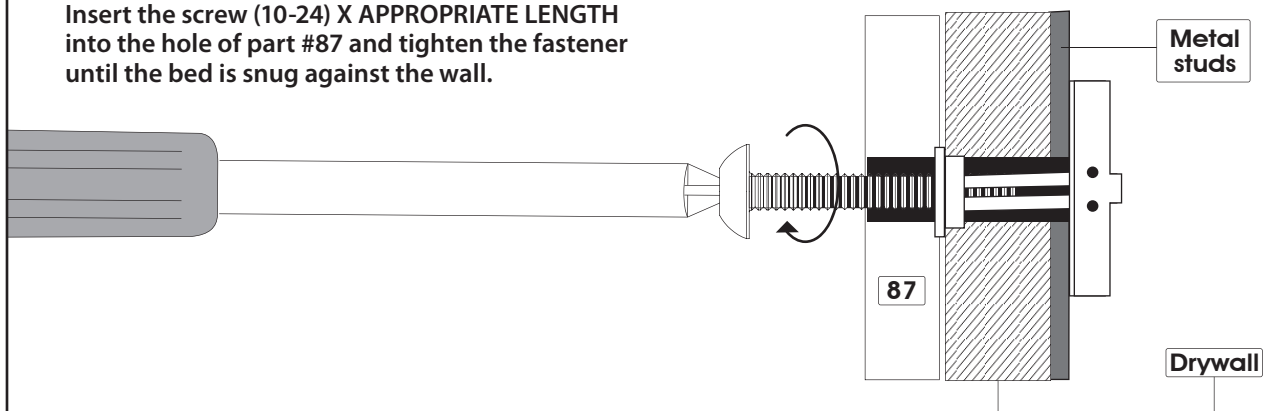


8 Slide the metal channel of the anchor through the hole in the wall, hold the straps together and pull toward you until the channel rests behind the wall. Slide the cap along the straps until it is flush with the wall. Snap off the straps.

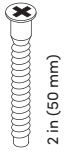


9 Put the bed back in its place.

Insert the screw (10-24) X APPROPRIATE LENGTH into the hole of part #87 and tighten the fastener until the bed is snug against the wall.



9 Hardware installation & assembly
Murphy bed



Code VC-204

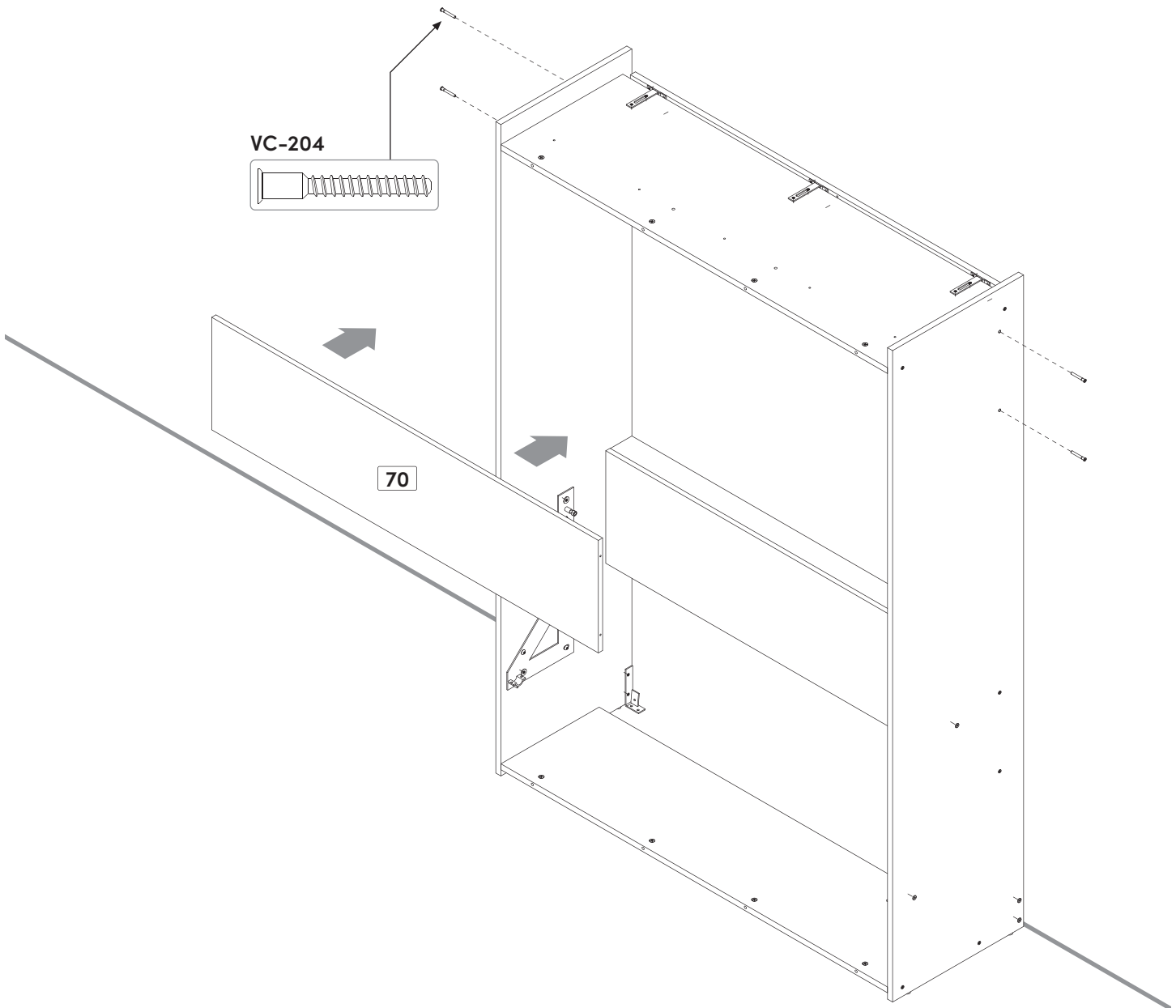
Qty x 4



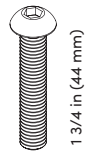
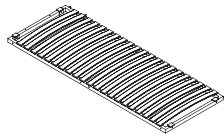
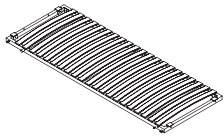
**TWO people
are required
for this step.**

NOTICE

Do not attach to floor in this step.

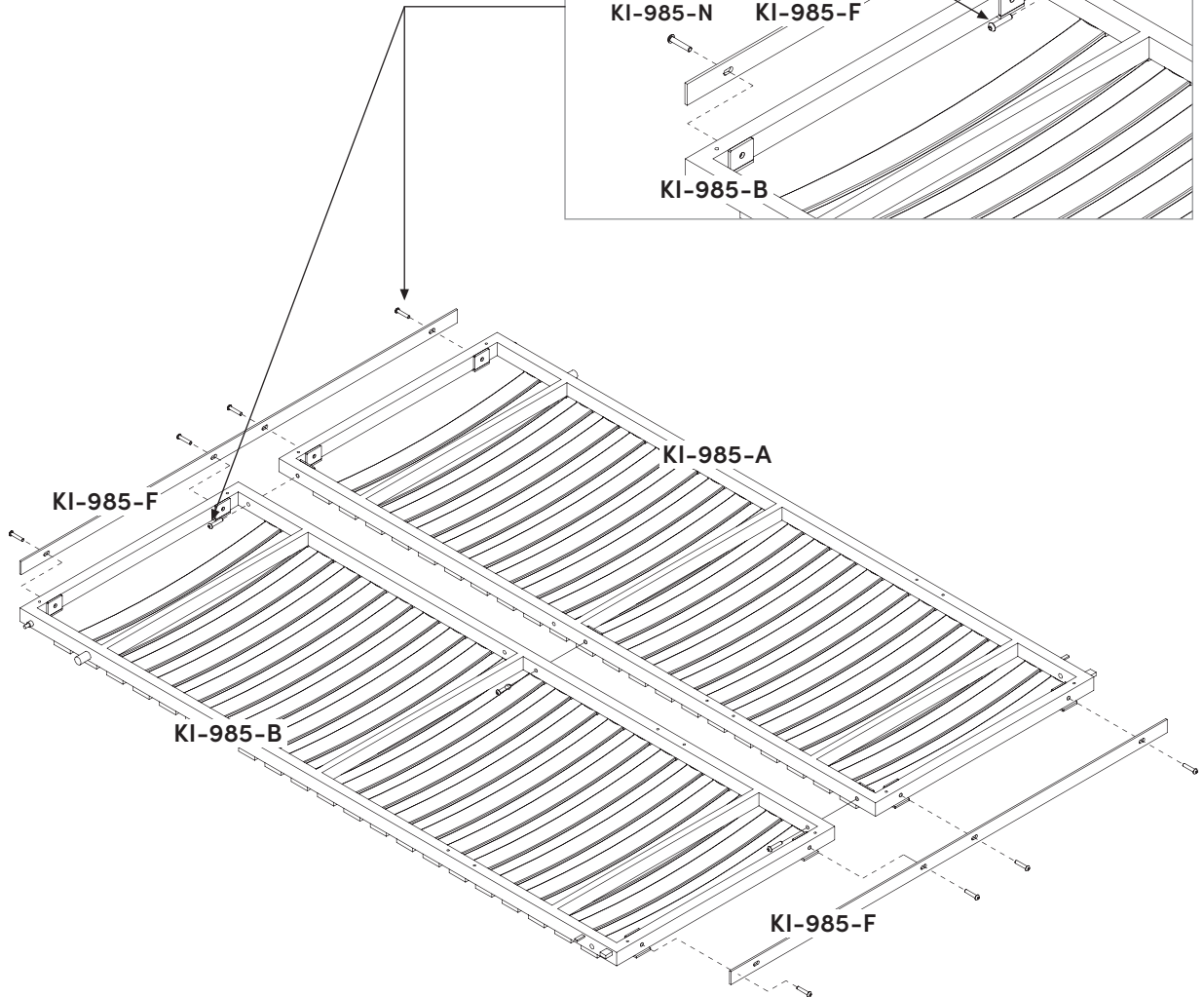
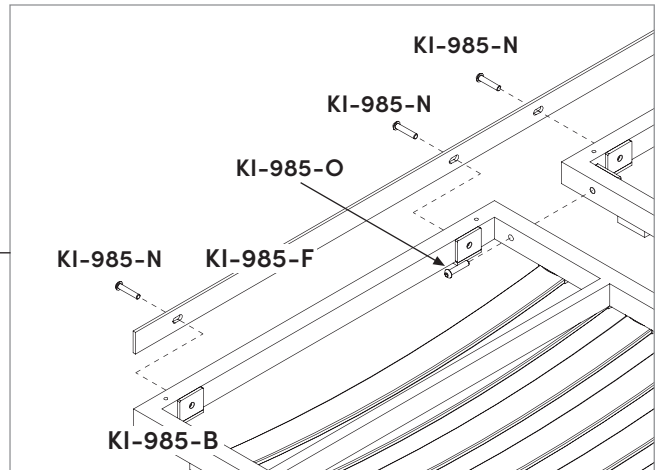


10 Hardware installation & assembly
Murphy bed



Code	KI-985-A	KI-985-B	KI-985-F	KI-985-N	KI-985-O
Qty	x 1	x 1	x 2	x 8	x 3

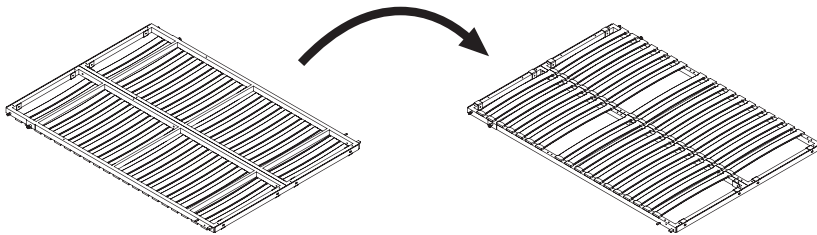
 **TWO people are required for this step.**



11 Hardware installation & assembly
Murphy bed

 **TWO people are required for this step.**

Code	KI-985-J	LEG WARNING STICKER
Qty	x 2	x 1

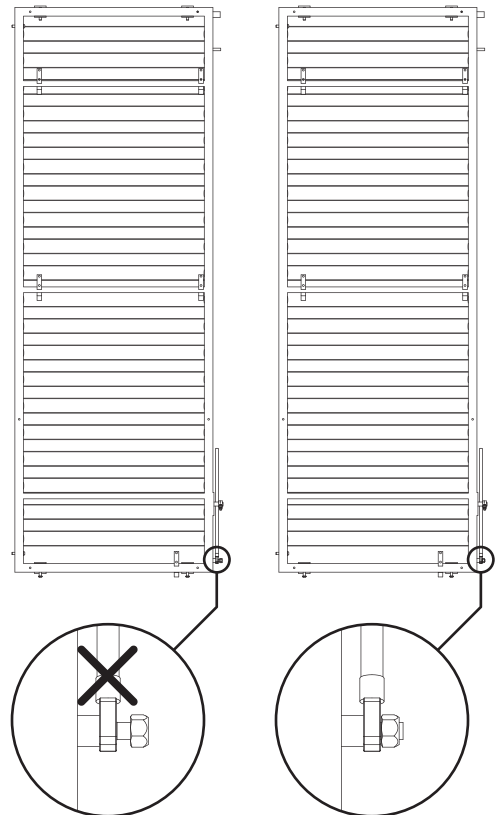
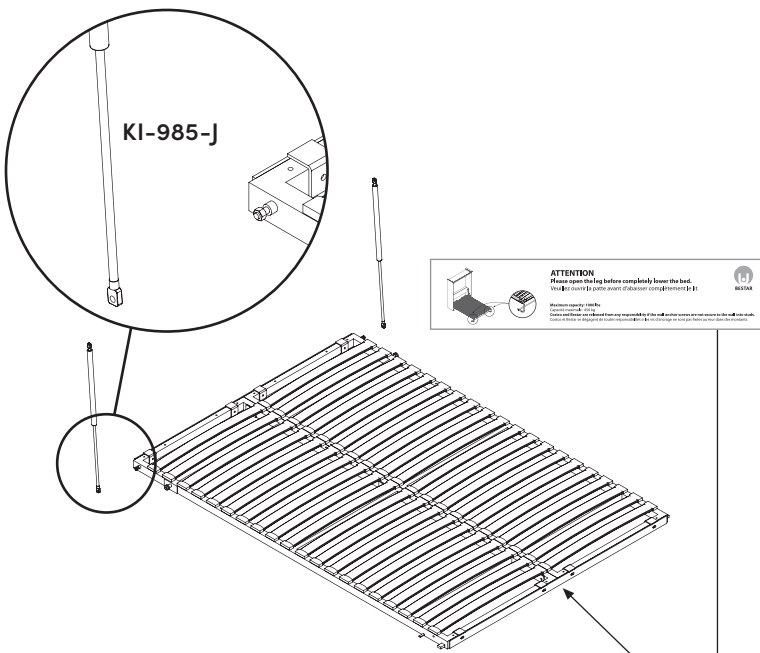
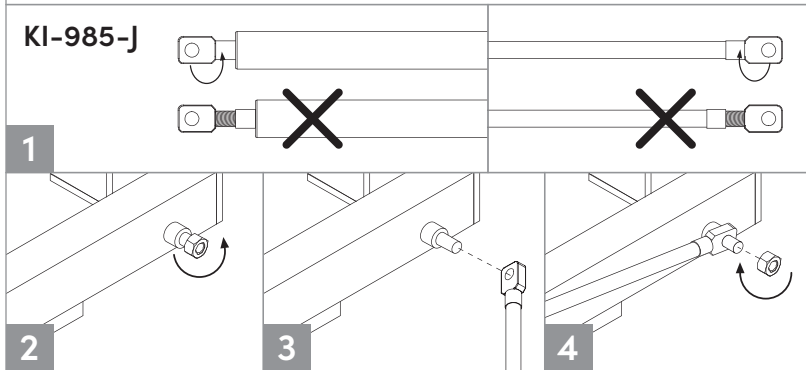


NOTICE

Take note that after the installation of the pistons, it will be very difficult to open the bed. Follow the steps until the end, after mattress and front panels are installed, the bed will open without effort.

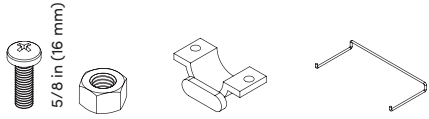
NOTICE

Fully tighten 2 nuts per cylinder. Nylon side of the nut must face outwards. Thread should extend past end of nut when tightened.



KI-985-J MUST BE COMPLETELY TIGHTENED

12 Hardware installation & assembly
Murphy bed



Code	KI-985-L	KI-985-P	KI-985-E
Qty	x 4	x 2	x 2

NOTICE

1. Place the bearings equally on each side before attaching them.
2. Position the bearing support in such a way as to lock. (Image 1)
3. Firmly tighten the bearing support screws.

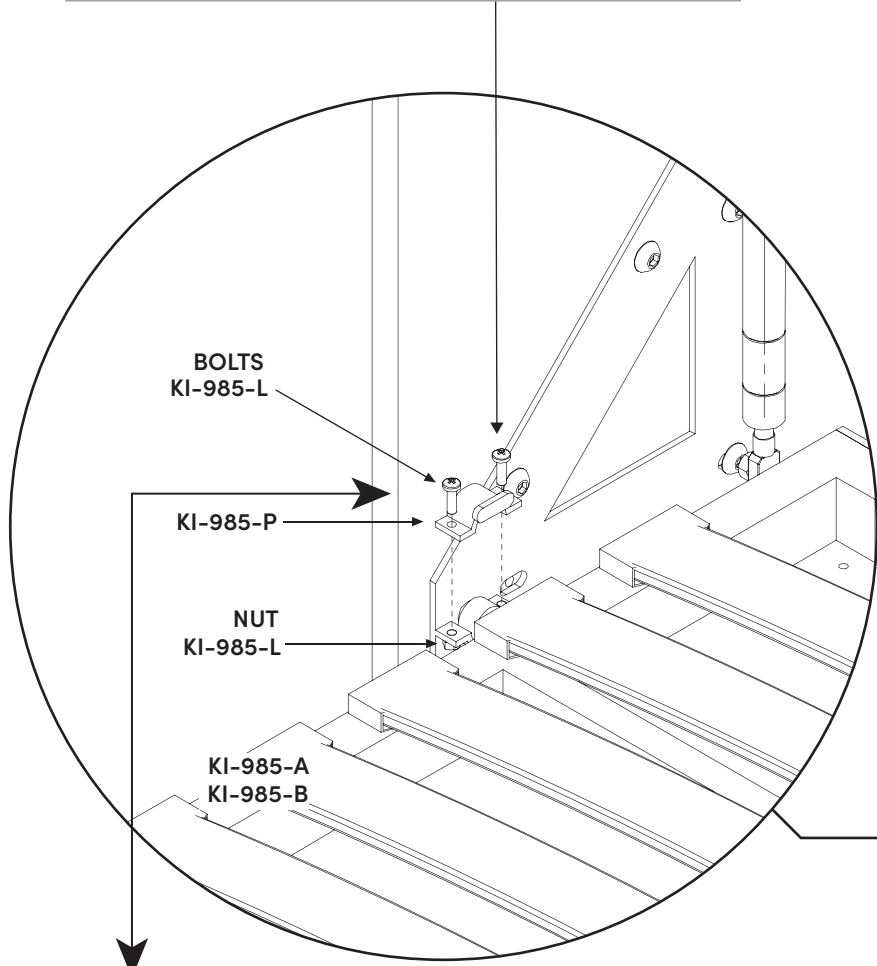
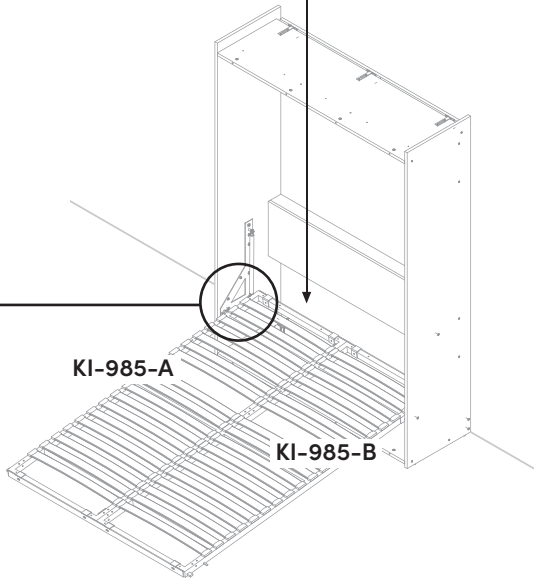
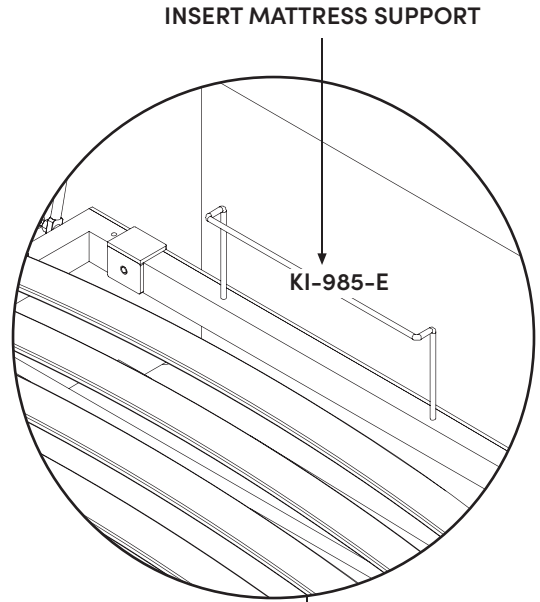
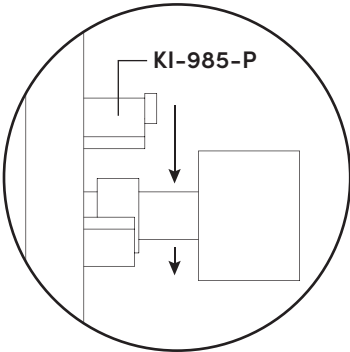


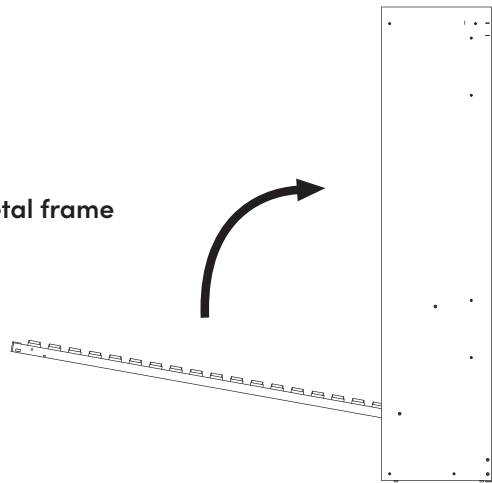
IMAGE 1 FRONT VIEW



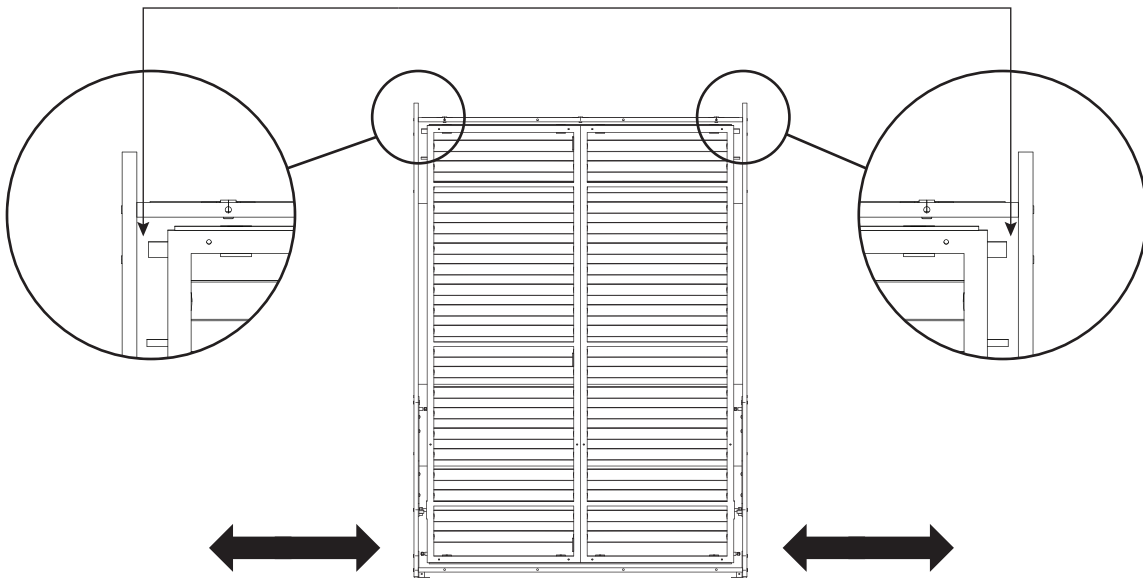
DO NOT ATTACH THE PISTON AT THIS STEP



Close the metal frame



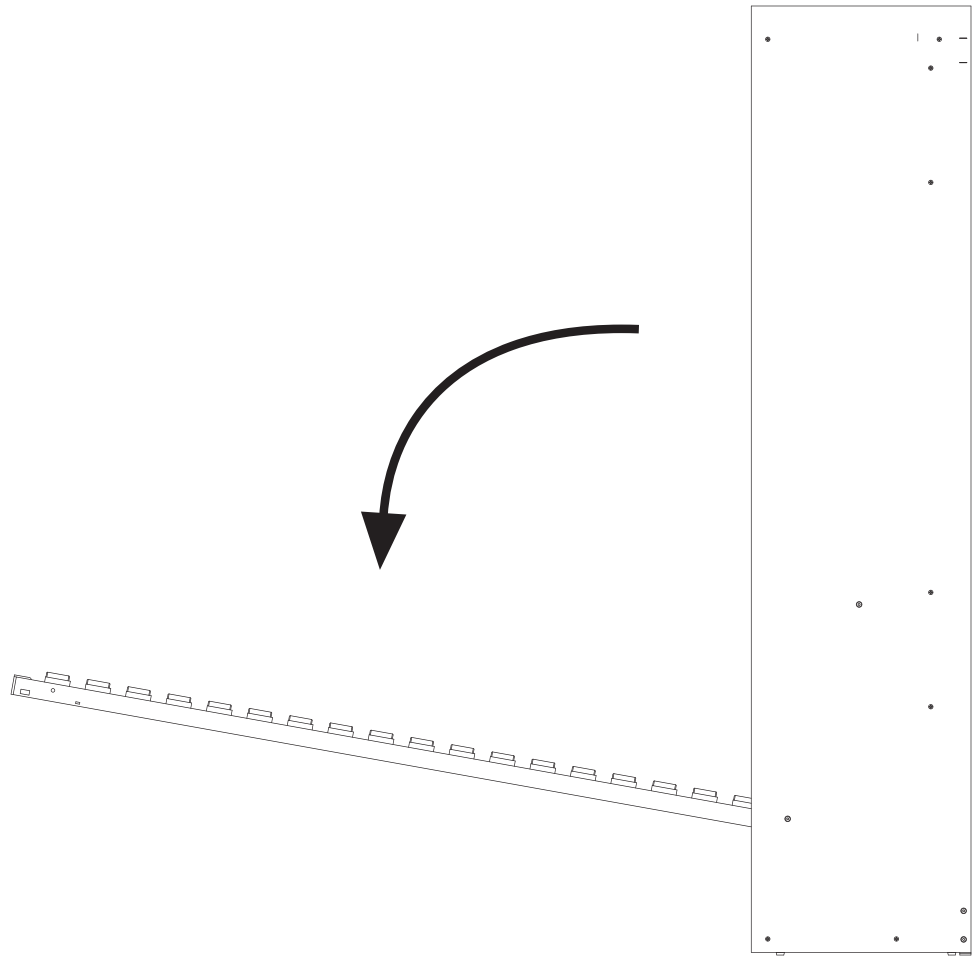
Distance between metal frame and wood gable must be the same each side



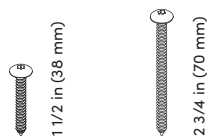
Move the base to adjust the distance on top

14 Assembly
Murphy bed

Open the metal frame.
Be careful to prevent
the base from shifting.



15 Hardware installation & assembly
Murphy bed



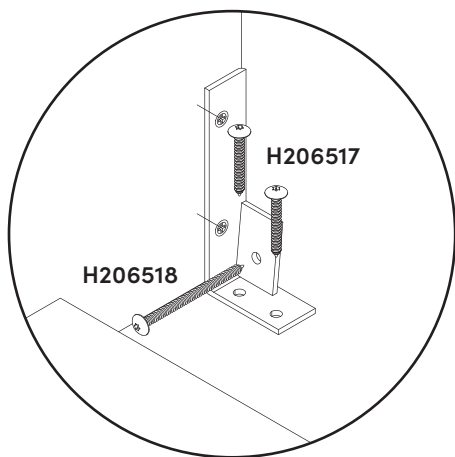
Code	H206517	H206518
Qty	x 4	x 2

 **WARNING**

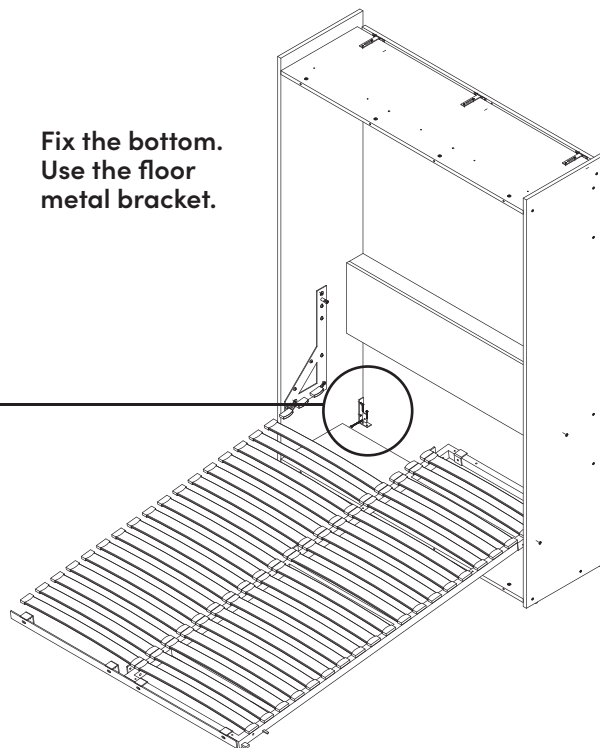
IMPACT OR CRUSHING HAZARD: if bed is not properly attached to the wall, it can suddenly fall, resulting in serious injury or death.

- ALWAYS install 6 floor attachment screws: 4 to floor, 2 to sill plate.

Use 2 floor screws (H206517) or one wall screw (H206518) or both on each floor bracket.



Fix the bottom.
Use the floor metal bracket.



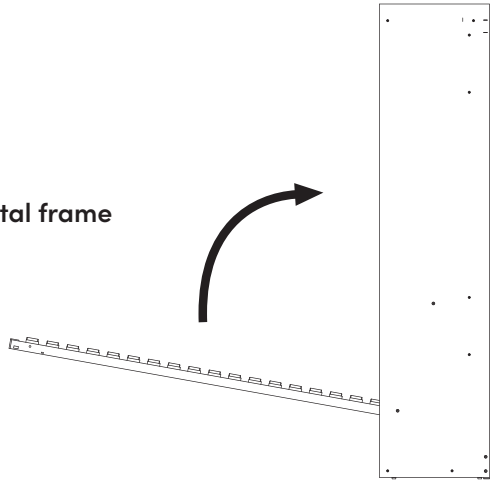
NOTICE

Take note that after the installation of the pistons, it will be very difficult to open the bed. Follow the steps until the end, after mattress and front panels are installed, the bed will open without effort.



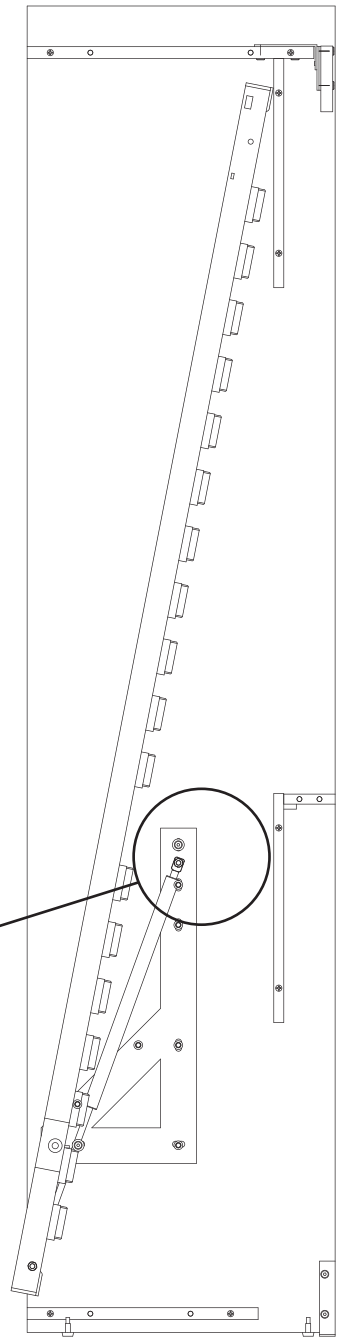
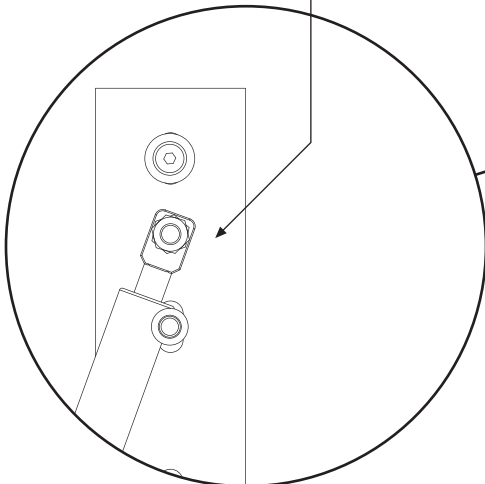
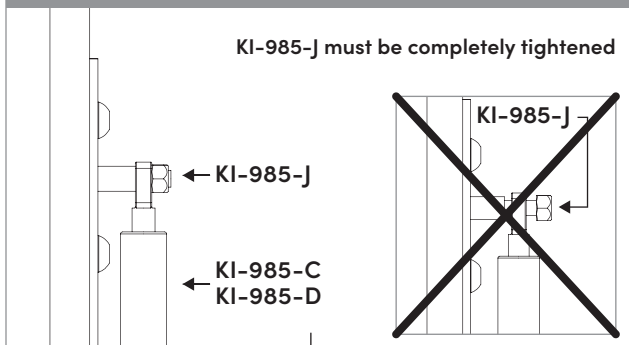
TWO people are required for this step.

Close the metal frame



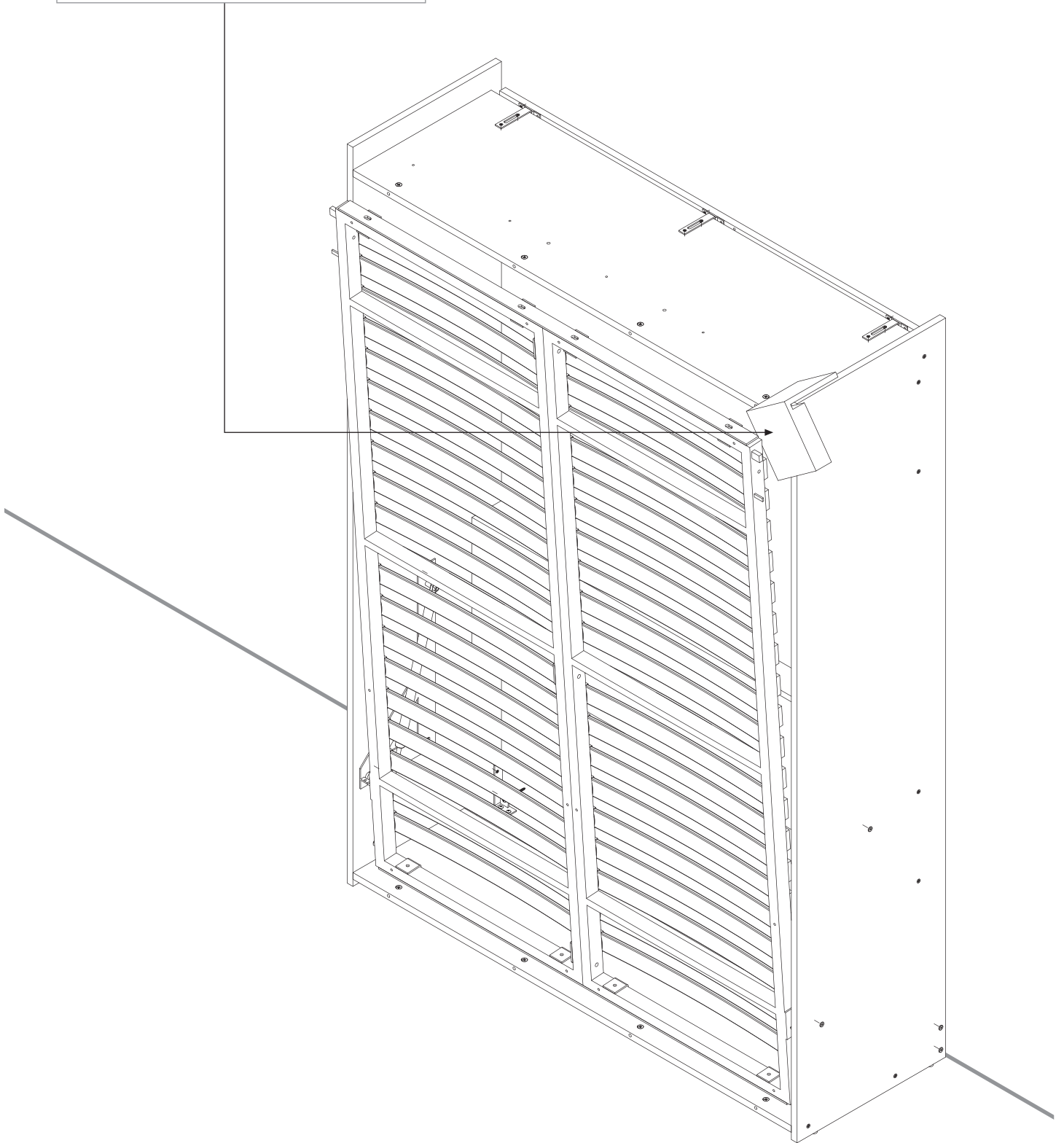
INSERT CYLINDER ON ITS SUPPORT ROD

KI-985-J must be completely tightened

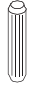
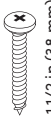


NOTICE

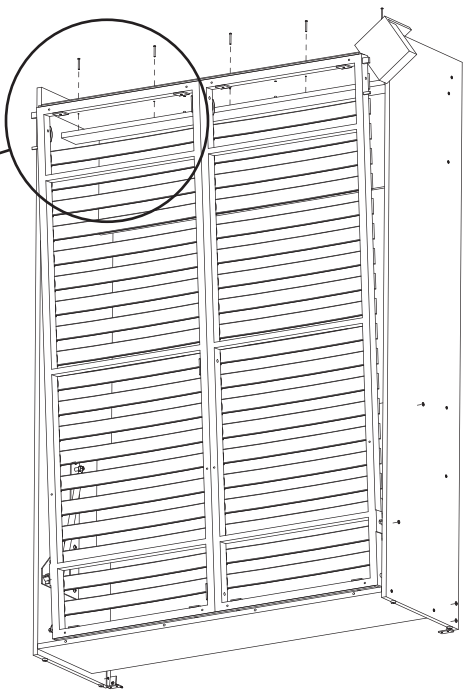
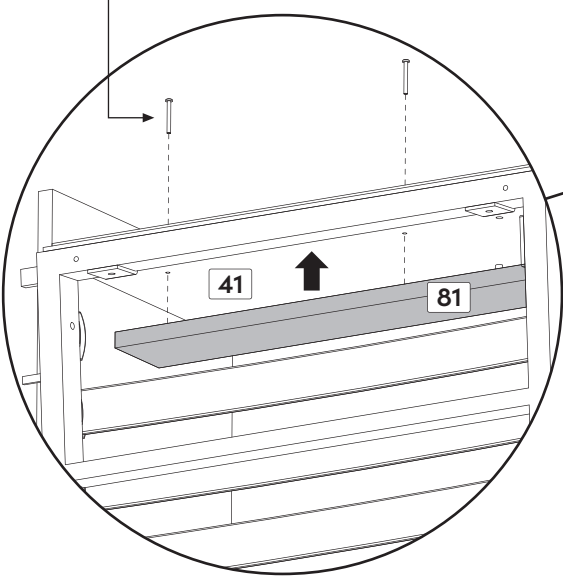
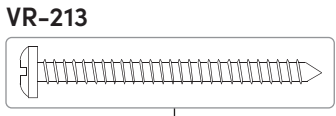
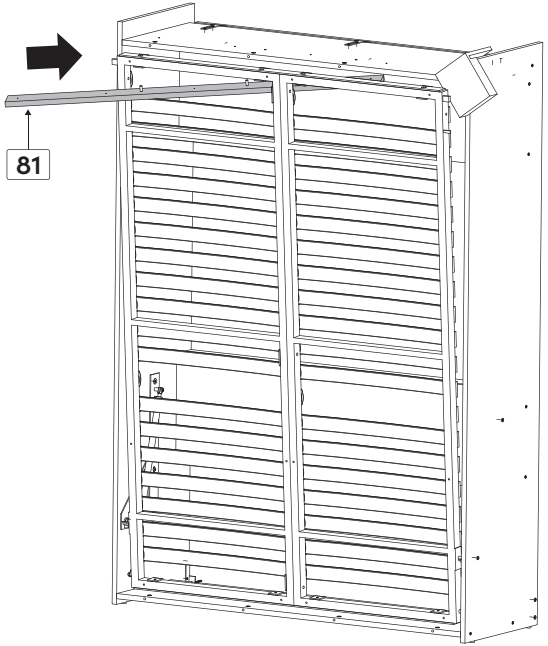
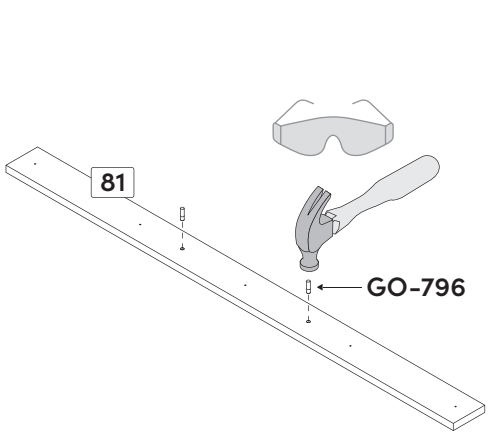
Use one of the cardboard corner pieces from packaging or similar object to keep the bed in semi-closed position for the following steps.



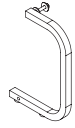
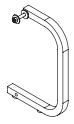
18 Hardware installation & assembly
Murphy bed

		
Code	GO-796	VR-213
Qty	x 2	x 5

 **TWO people are required for this step.**

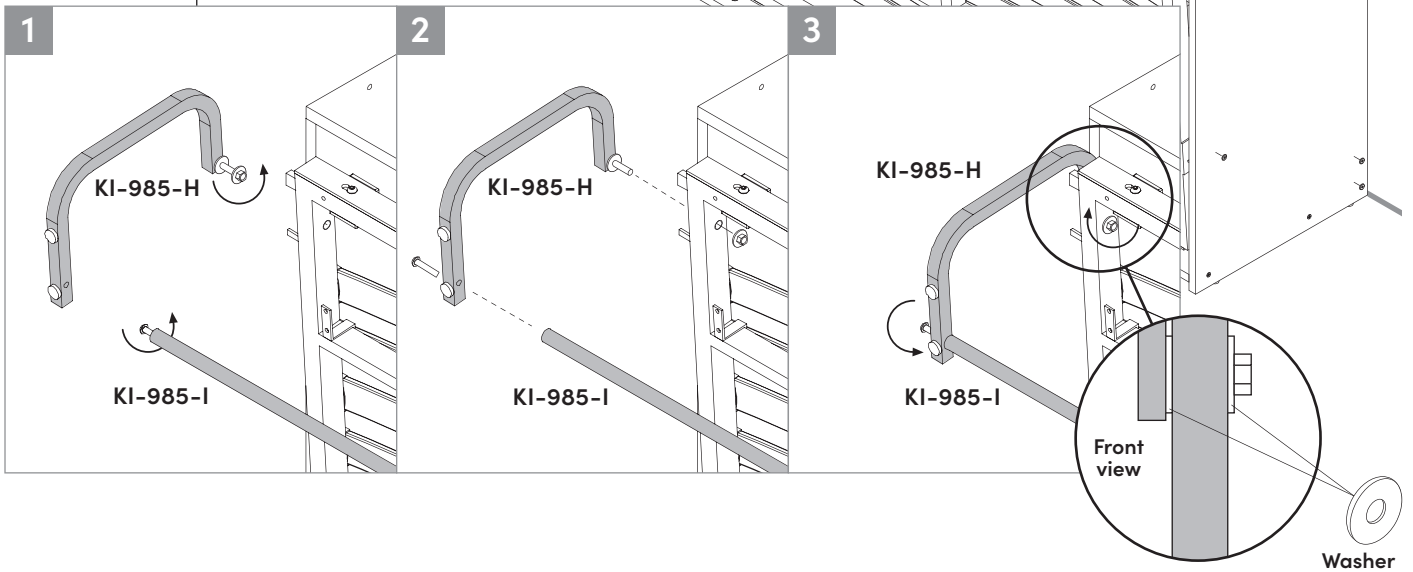
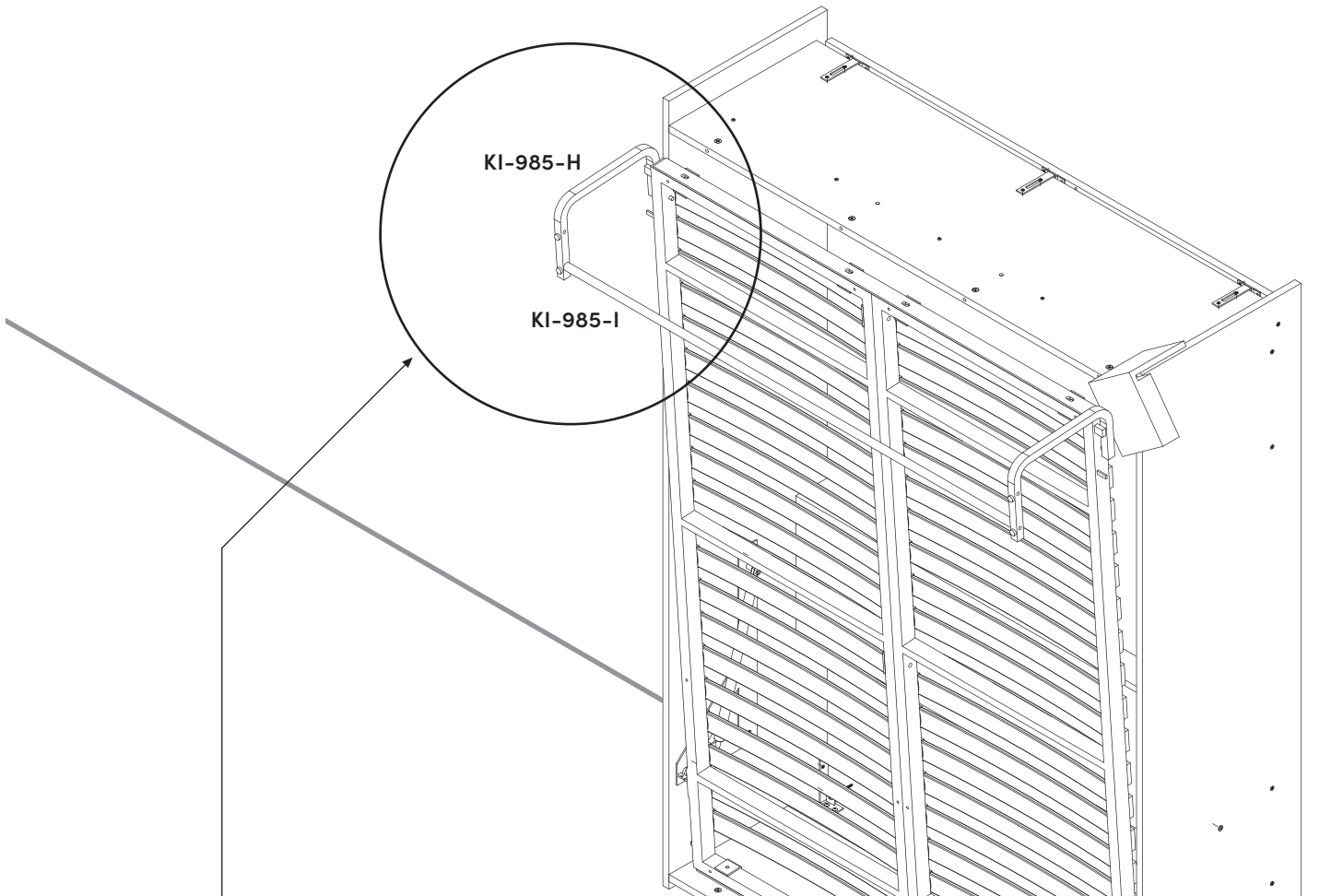


19 Hardware installation & assembly
Murphy bed

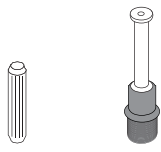


 **TWO people are required for this step.**

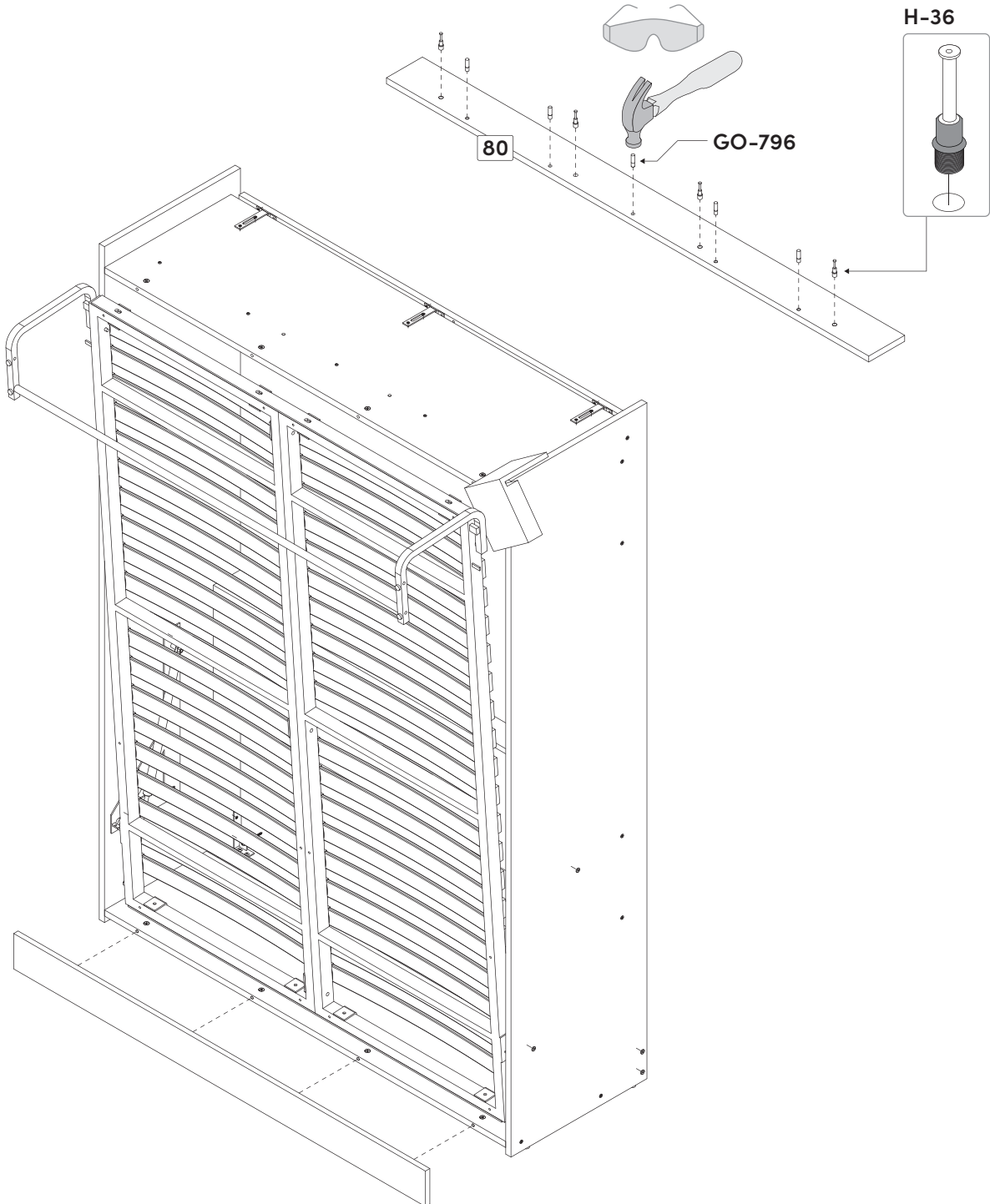
Code	KI-985-G	KI-985-H	KI-985-I
Qty	x 1	x 1	x 1




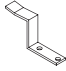
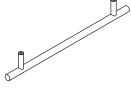
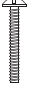
20 Hardware installation & assembly
Murphy bed

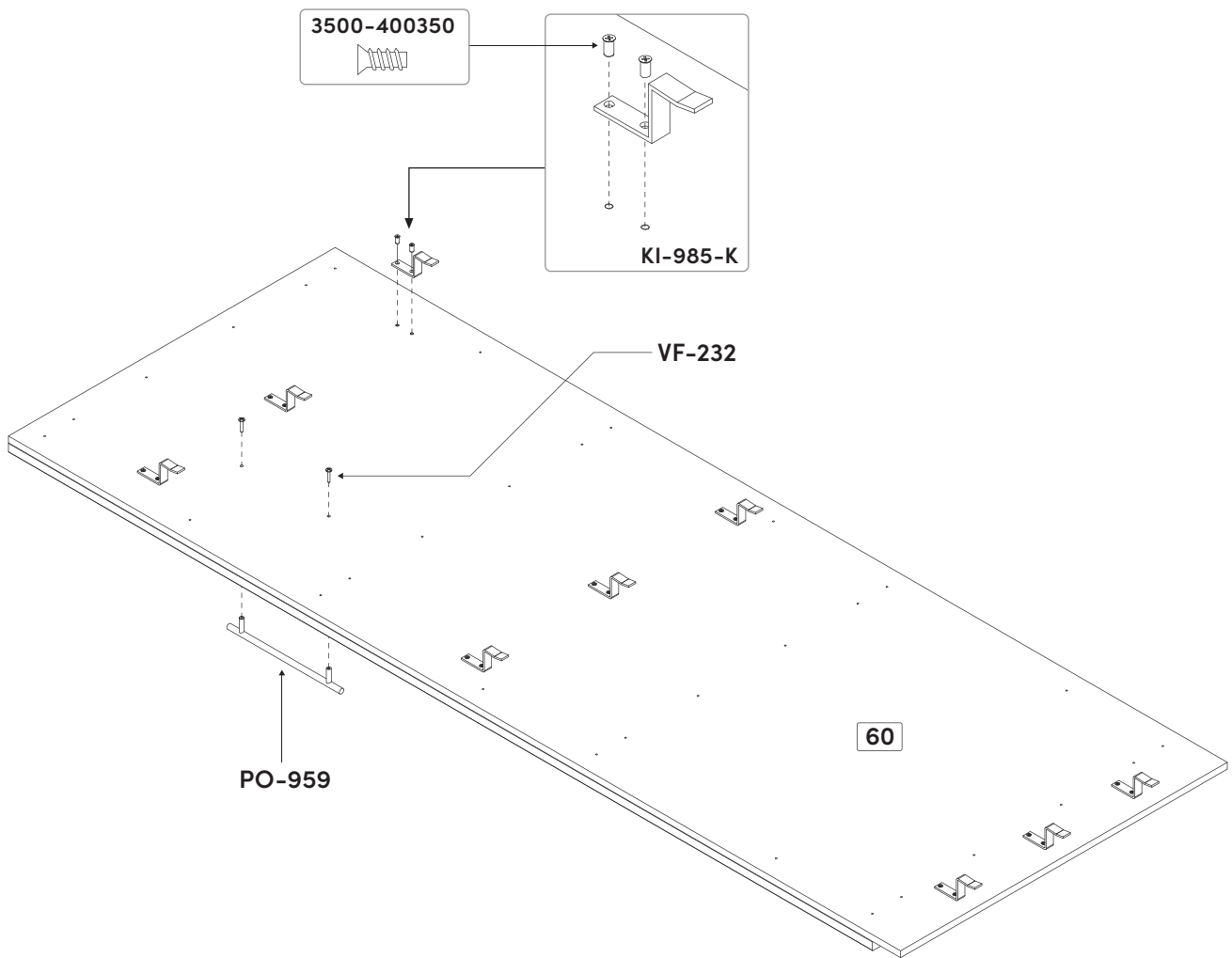


Code	GO-796	H-36
Qty	x 5	x 4


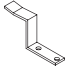
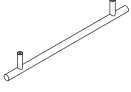
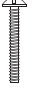


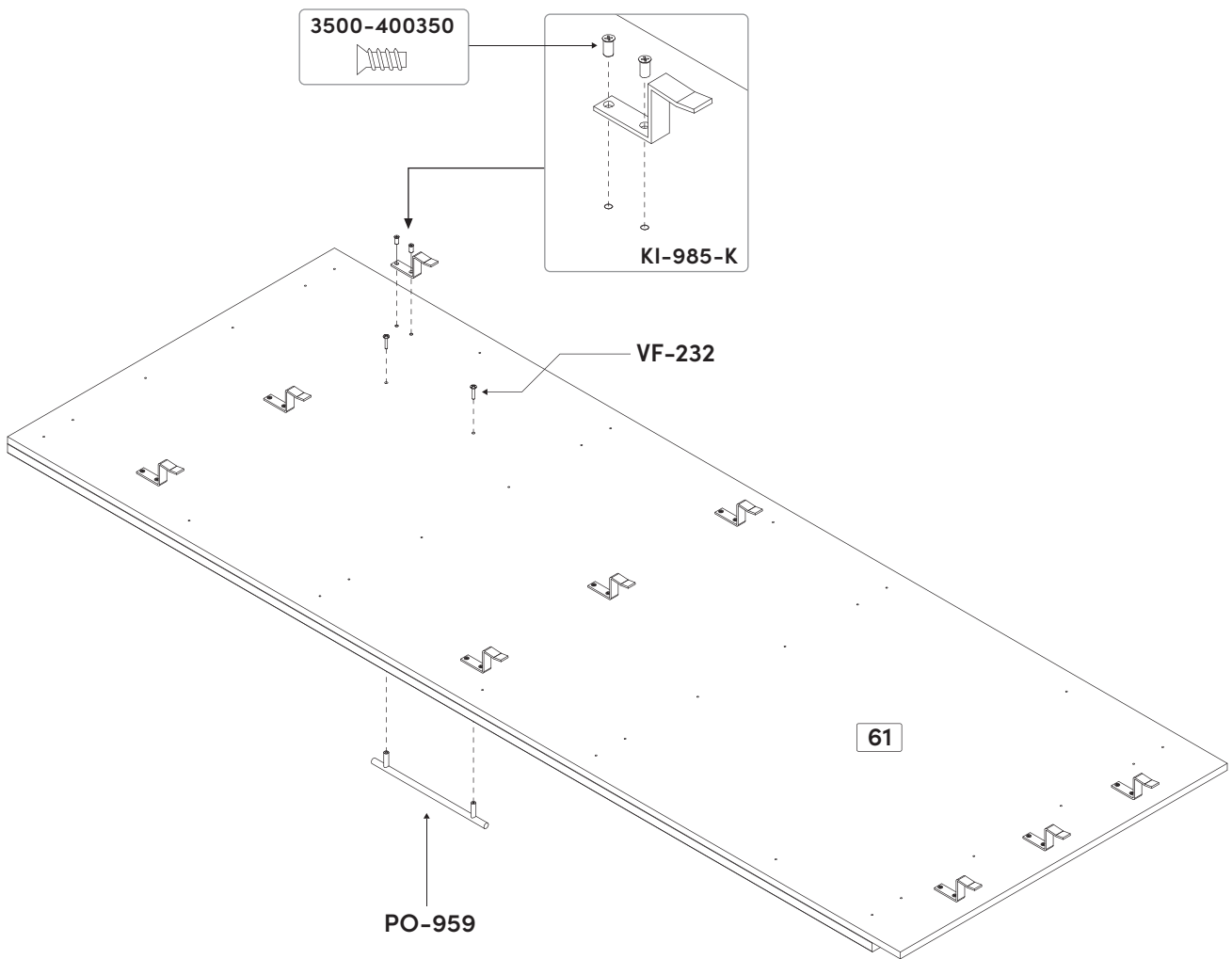
21 Hardware installation & assembly
Murphy bed

				
Code	3500-400350	KI-985-K	PO-959	VF-232
Qty	x 18	x 9	x 1	x 2



22 Hardware installation & assembly
Murphy bed

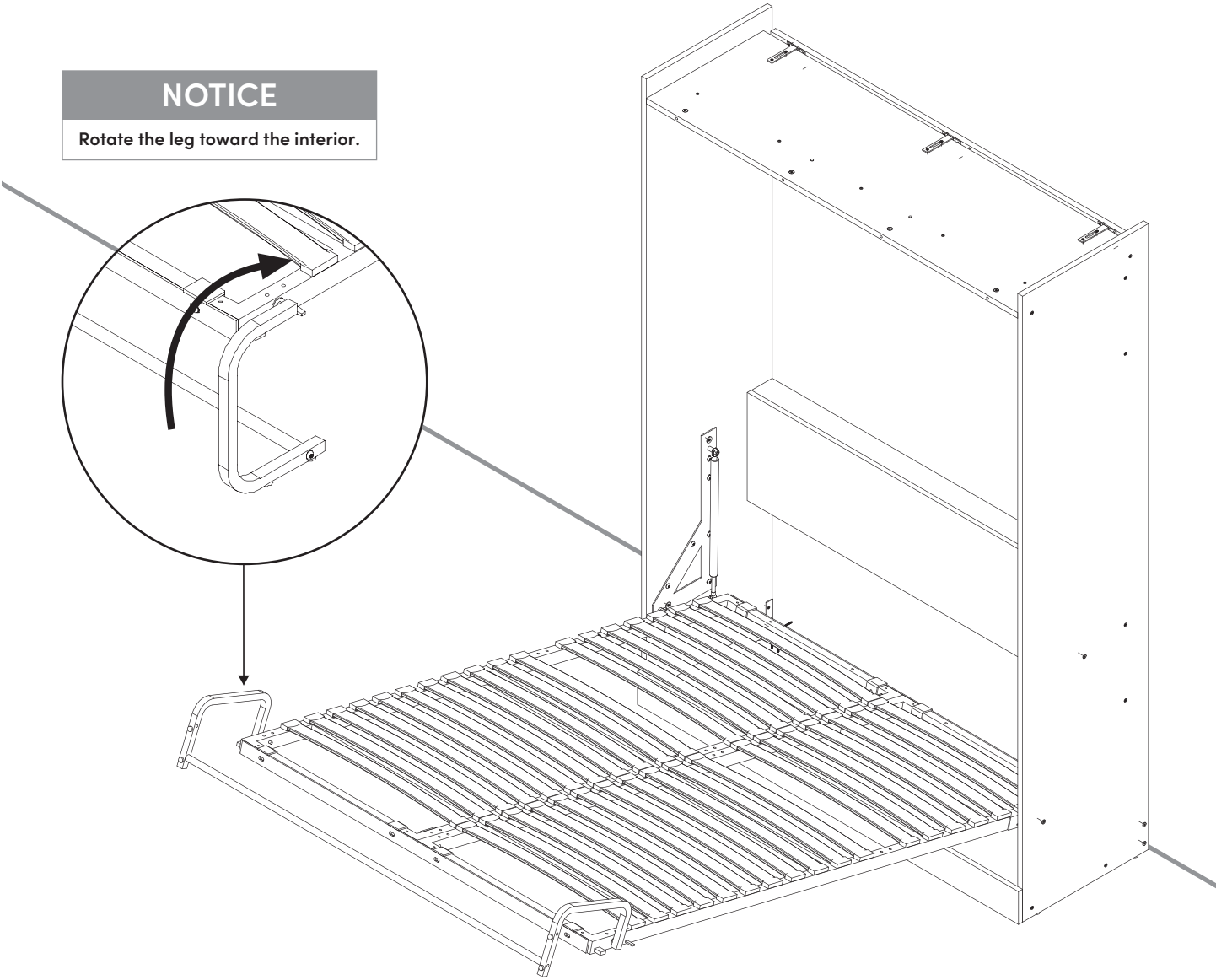
	 1/2 in (13 mm)			 7/8 in (22 mm)
Code	3500-400350	KI-985-K	PO-959	VF-232
Qty	x 18	x 9	x 1	x 2



23 Assembly
Murphy bed



NOTICE
Rotate the leg toward the interior.

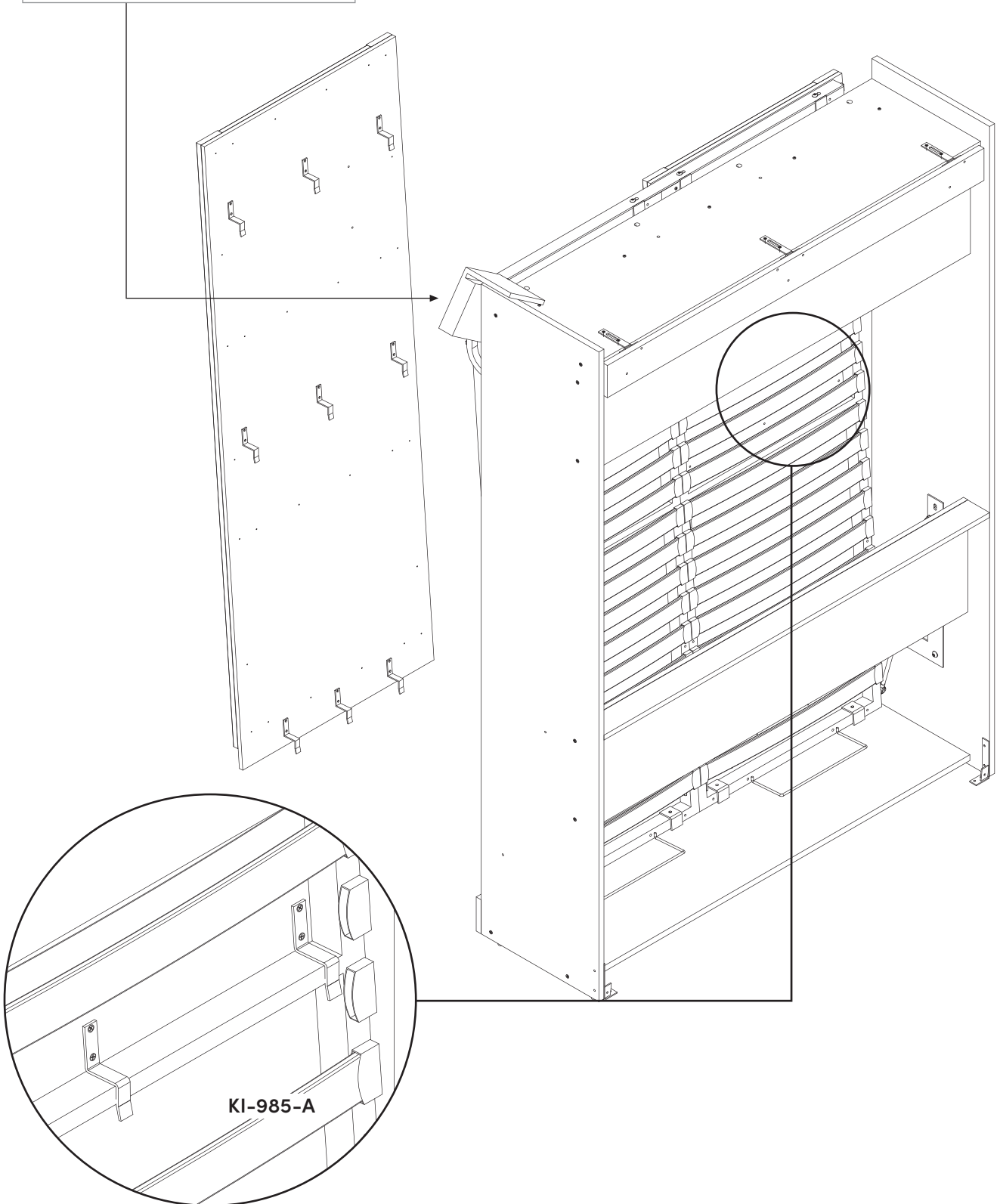


NOTICE

Use one of the cardboard corner pieces from packaging or similar object to keep the bed in semi-closed position for the installation of the facades.

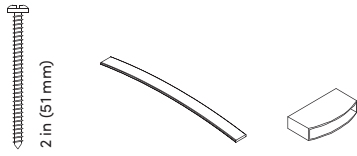


TWO people are required for this step.



KI-985-A

25 Hardware installation & assembly
Murphy bed






 **TWO people are required for this step.**

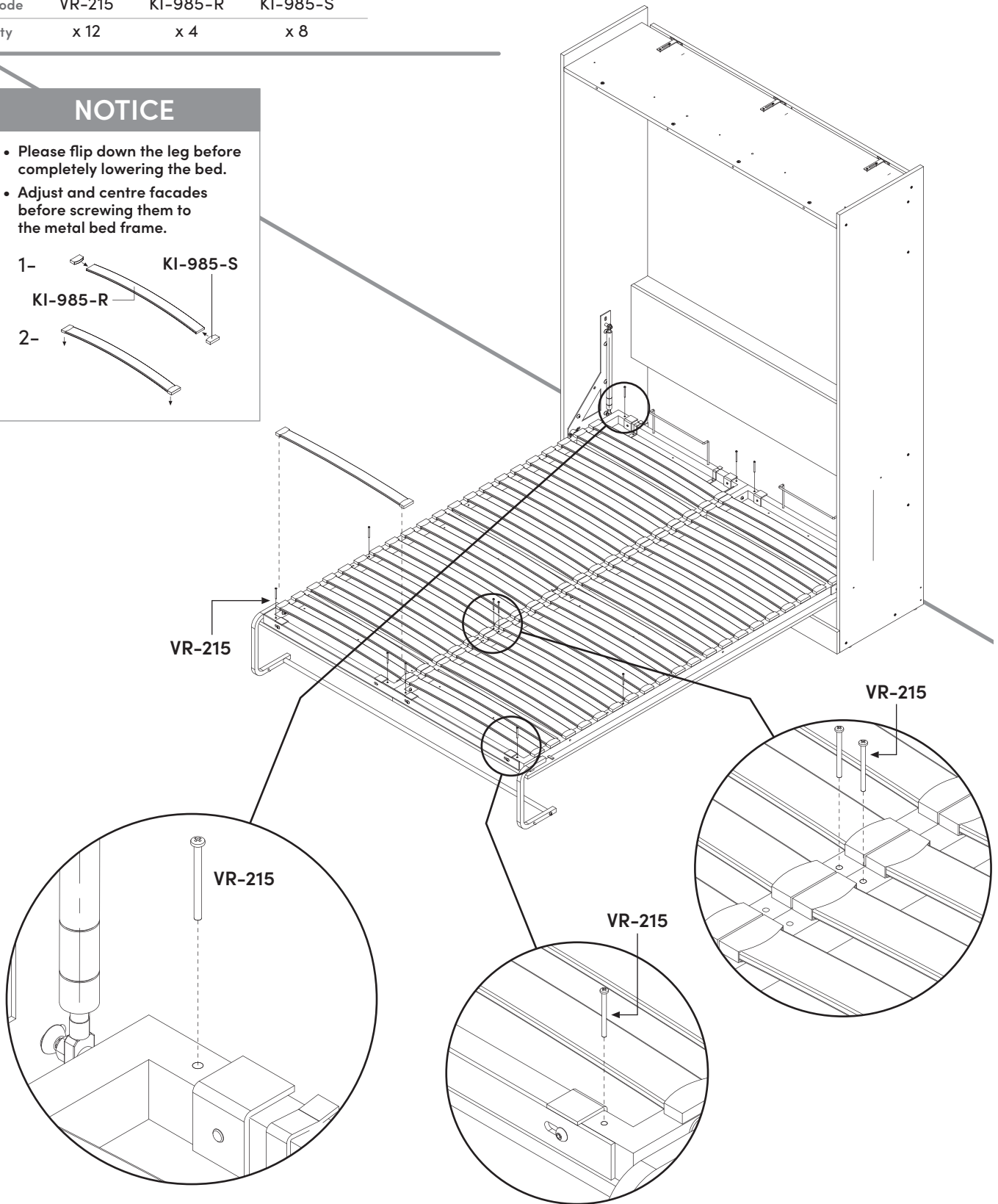
Code	VR-215	KI-985-R	KI-985-S
Qty	x 12	x 4	x 8

NOTICE

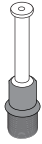
- Please flip down the leg before completely lowering the bed.
- Adjust and centre facades before screwing them to the metal bed frame.

1-  KI-985-S
KI-985-R 

2- 

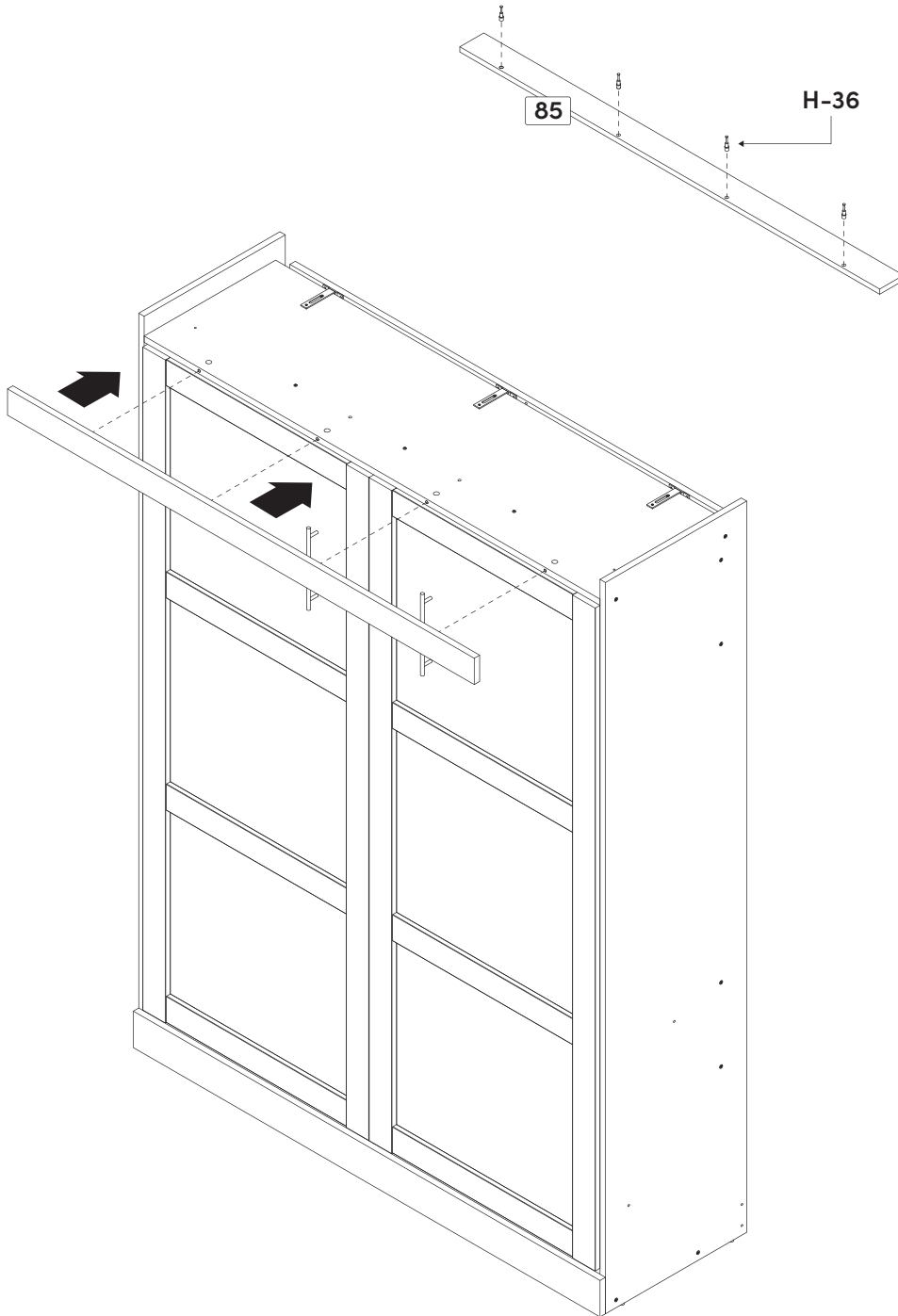


26 Hardware installation & assembly
Murphy bed



Code **H-36**
Qty **x 4**

 **TWO people are required for this step.**





WARNING

RISK OF SERIOUS INJURY OR DEATH

- Never close the bed with a person on the mattress due to risk of suffocation.
- If the bed mechanism or a panel is damaged for any reason, please stop using the bed and contact us at 1-888-823-7827 to get the instructions and the parts required for the repair (if possible). Do not continue to use a damaged bed and don't try to fix it yourself without instructions from Bestar. A damaged bed may malfunction resulting in unexpected opening, closing, or collapse of bed.



WARNING

TO AVOID RISK OF FIRE

- Never close the bed with the lights on.
- Never leave an electric blanket or any other sources of heat inside the closed cabinet.



CAUTION

RISK OF INJURY

- Do not apply any items on the facade, such as picture frames, shelves, hooks or clothing. The facade may detach from the metal frame if it is overloaded.
- Do not leave anything on the bed which could prevent bed from closing properly. (pillows, decorative cushion, plush toys, etc.). This can cause damage to the bed, falling parts, and an unexpected opening of the bed that may cause injury.

NOTICE

- Always rotate leg down to support bed when opening. Failure to rotate the leg downward can result in panel or floor damage
- Always rotate the leg inward when closing bed to avoid damage.
- Never jump on the bed or leave a young child playing alone on the bed. This could cause the person to fall and could also damage the bed mechanism.

DISASSEMBLY

Important information to read before starting the disassembly.
Keep this information for future reference.

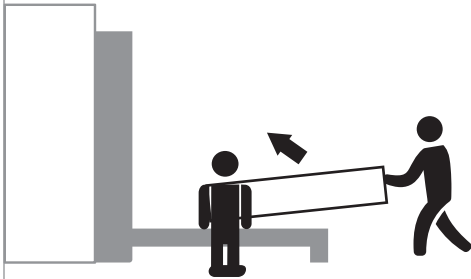


WARNING

IMPACT OR CRUSHING HAZARD: if wall attachment screws are removed before removing lift cylinders and metal mattress frame, wall bed cabinet can suddenly fall, resulting in serious injury or death.

- Only a professional or qualified person should disassemble or adjust a wall bed.
- Improper disassembly of the wall bed may result in bed detaching from the wall resulting in serious injury.
- Wall bed must remain attached to wall for the following disassembly steps (1-9).
- Qualified person must have the skills and tools necessary to locate wall studs, identify type of wall structure (wood, metal, masonry or other) and install screws correctly to wall structure. Skills and tools include electronic stud finder, drill motor and bits, screwdriver, and ability to correctly use these tools.

1 Remove the mattress.

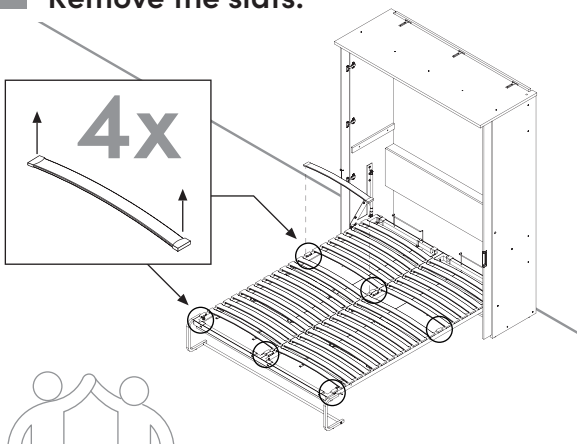


NOTICE

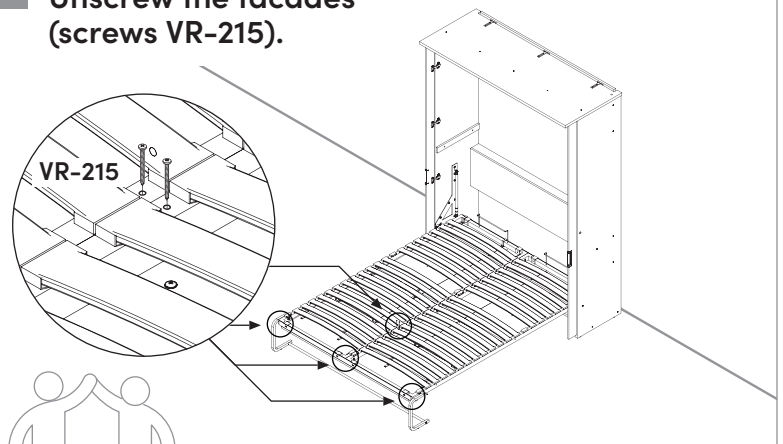
- By removing the mattress, the bed frame will rise quickly.
- Have a helper hold the frame down while removing the mattress.



2 Remove the slats.

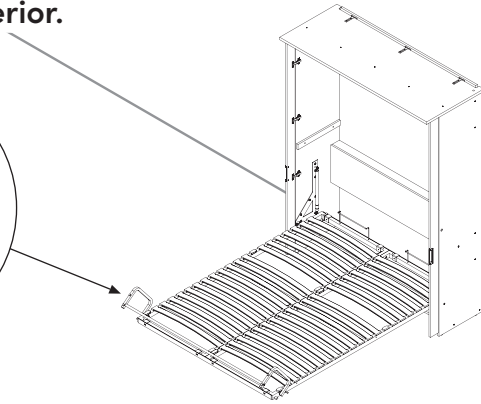
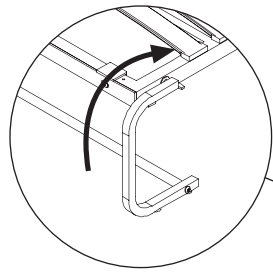


3 Unscrew the facades (screws VR-215).

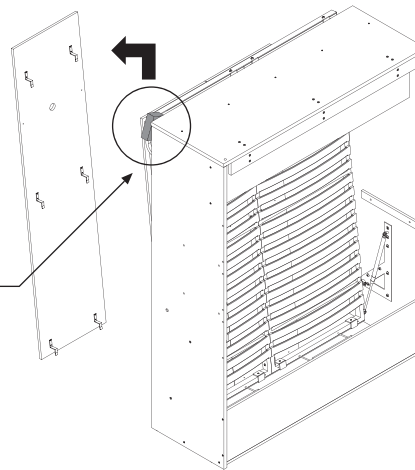
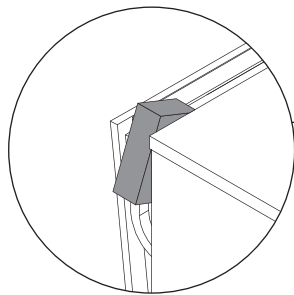


DISASSEMBLY

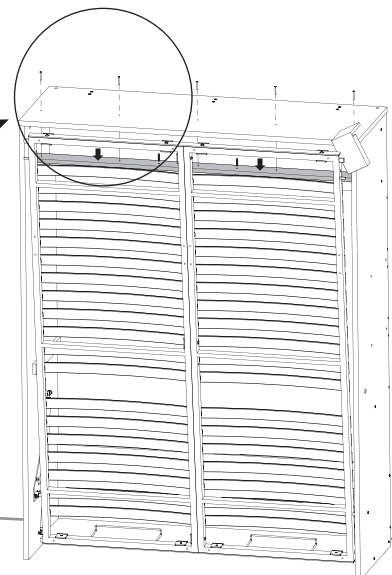
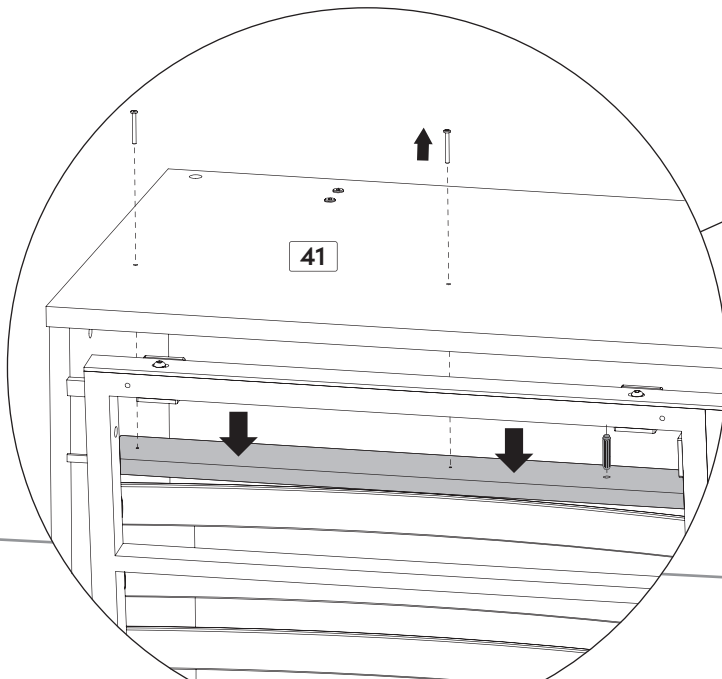
4 Rotate the leg towards the interior.



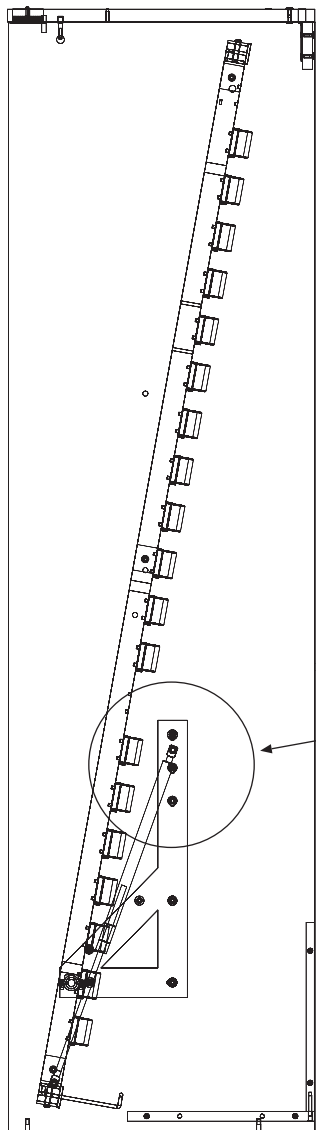
5 Use an object of about 2 in (50 mm) thick to keep the bed in a semi-closed position, then lift and pull to remove the facades.



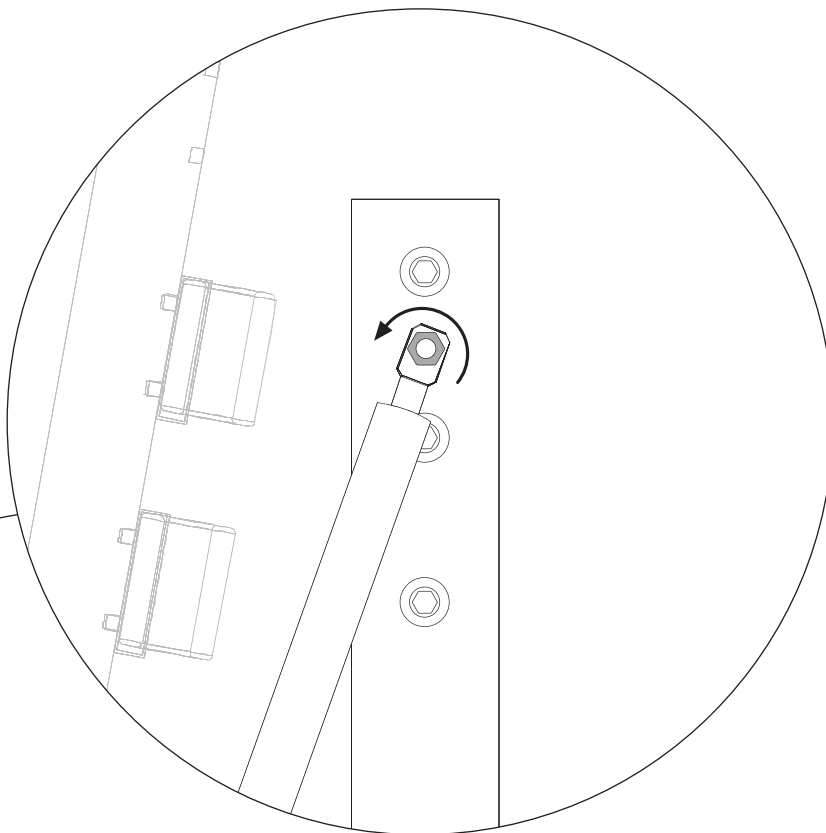
6 Take off the stop molding by removing the 5 screws on top.



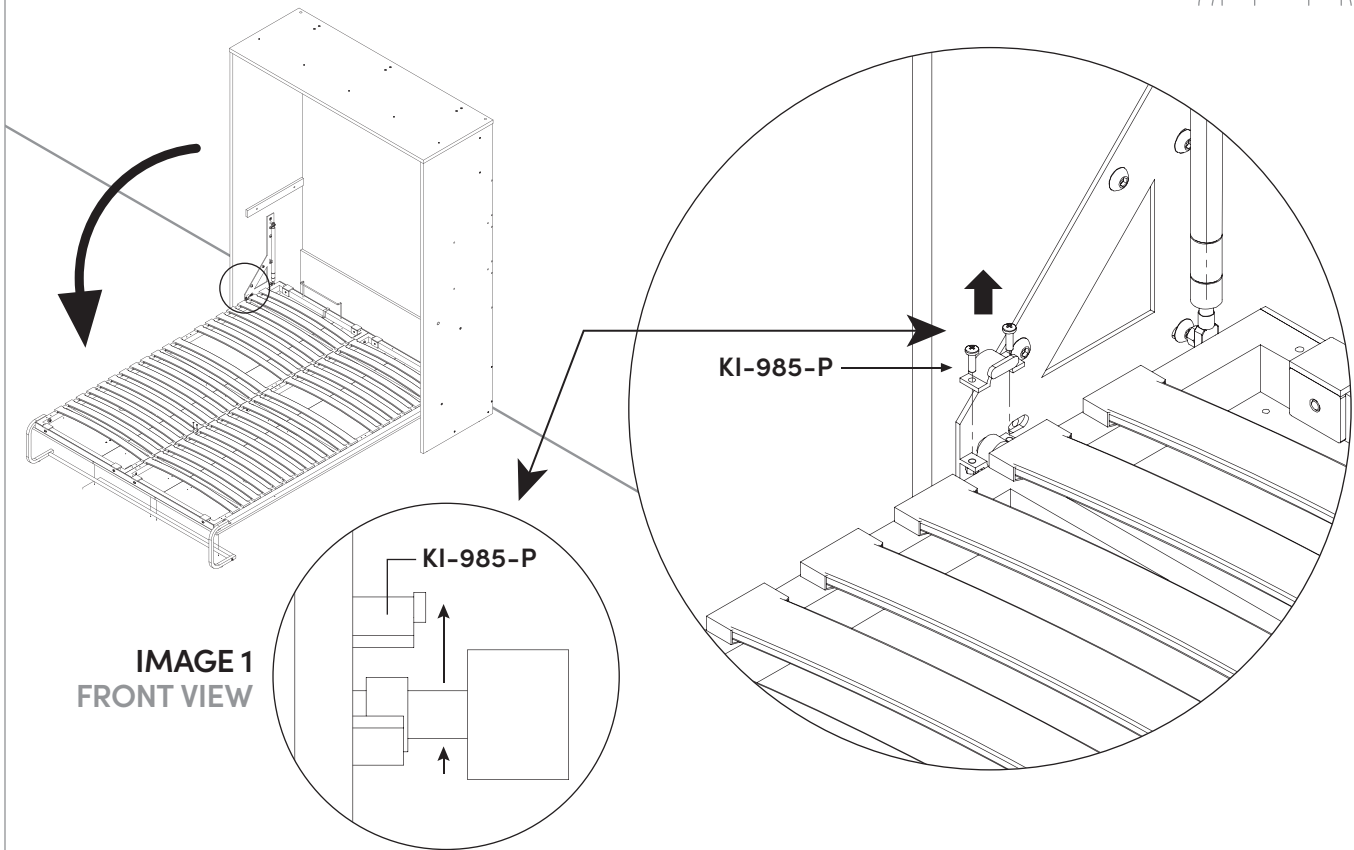
7 Let the bed frame sink back into the cabinet and remove the lift cylinders.



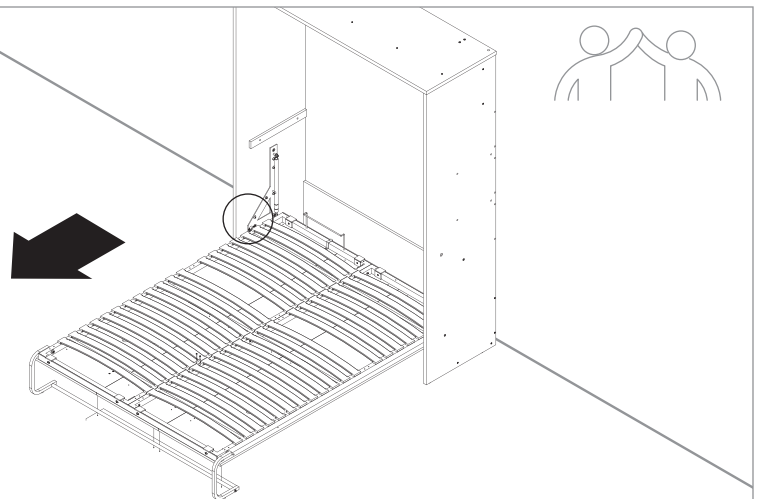
UNSCREW THE FASTENER AND REMOVE THE END OF THE CYLINDER FROM THE "L" BRACKET.



8 Unscrew and remove the bearing supports.



9 Lift the metal bed frame from the brackets.



10 Now you can unscrew the bed from the wall and continue the disassembly.

